

Ex Mineral Insulated Thermocouple TR15 model 2

for operation in the hazardous area with gas or dust

In general   

The temperature sensors manufactured by Reckmann GmbH (R58®) are solely intended for the measurement of process temperatures in solid, liquid and gaseous media. By using a movable gas tight screw socket or a compression fitting, this design allows a variable installation length.

Application area:

Autoclave, machine and plant engineering, chemicals industry, power plant technology industry of building materials, recycling

Depended on electrical and thermal parameters for operating with the following types of protection:

II 1/2G Ex ia IIC T1...T6 Ga/Gb or

II 1/2D Ex ia IIIC T135 °C Da/Db.

For installation please see our operating instructions.

Ex-stock-number-code: TR15-B.

Technical datas

- **Connection head** (fig. 1/1) according to DIN EN 50446.
Standard connection heads: Form B-G12, B-KL, B-VA, BA-KL, BA-KLH, B-KUKL, B-KUHKL. IP54, Dimension see page 2.
On request IP65 or IP67.
- **Protection shell** (fig. 1/3 up to 4) according or similar to DIN 43772.
Standard material 1.4571.
Standard diameter 9 or 11 mm
- **Process connection** via movable gas tight screw socket or compression fitting, standard thread: G1/2".
- **Measuring insert** (fig.1/2) replaceable according or similar to DIN 43735.
Sensor depended on use:
with 1 or 2 thermocouples according to IEC / EN 60584-1.
Operating temperature MIT (fig. 1/5)
depended on the thermocouple type and diameter:
Type J: Ø 3,0 mm up to 520°C, Ø 4,5 up to 620°C, 6,0 und 8,0 mm up to 720°C.
Type K: Ø 3,0 mm up to 1070°C, Ø 4,5; 6,0 and 8,0 mm up to 1100°C.
Type N: Ø 3,0 mm bis 1070°C, Ø 4,5; 6,0 and 8,0 mm up to 1100°C.
Type E: Ø 3,0 mm up to 650°C, Ø 4,5 up to 730°C, 6,0 und 8,0 mm up to 820°C.
Type T: Ø 3,0 mm up to 315°C, Ø 4,5 / 6,0 and 8,0 mm up to 350°C.
Notice: Process temperatures above 450 °C are only possible with appropriate process decoupling.
Double sensor with exi-transmitter only on request.
- **Sheath material** according to IEC / EN 61515.
Standard material 2.4816,
Standard diameter 3 or 6 mm.
- **Protection shell** (fig. 1/3 up to 4) the following demension are acceptable:
outer diameter(D) ≥ 6,0 mm, wall thickness(S) ≥ 1,0 mm, base thickness ≥ 1,3 x S [mm].
nominal length (NL) max. 8000 mm.
- **Optional materials for gas and dust explosion protection:**
please see our Ex-Operating Instructions chapter 4 Ex-Conditions.

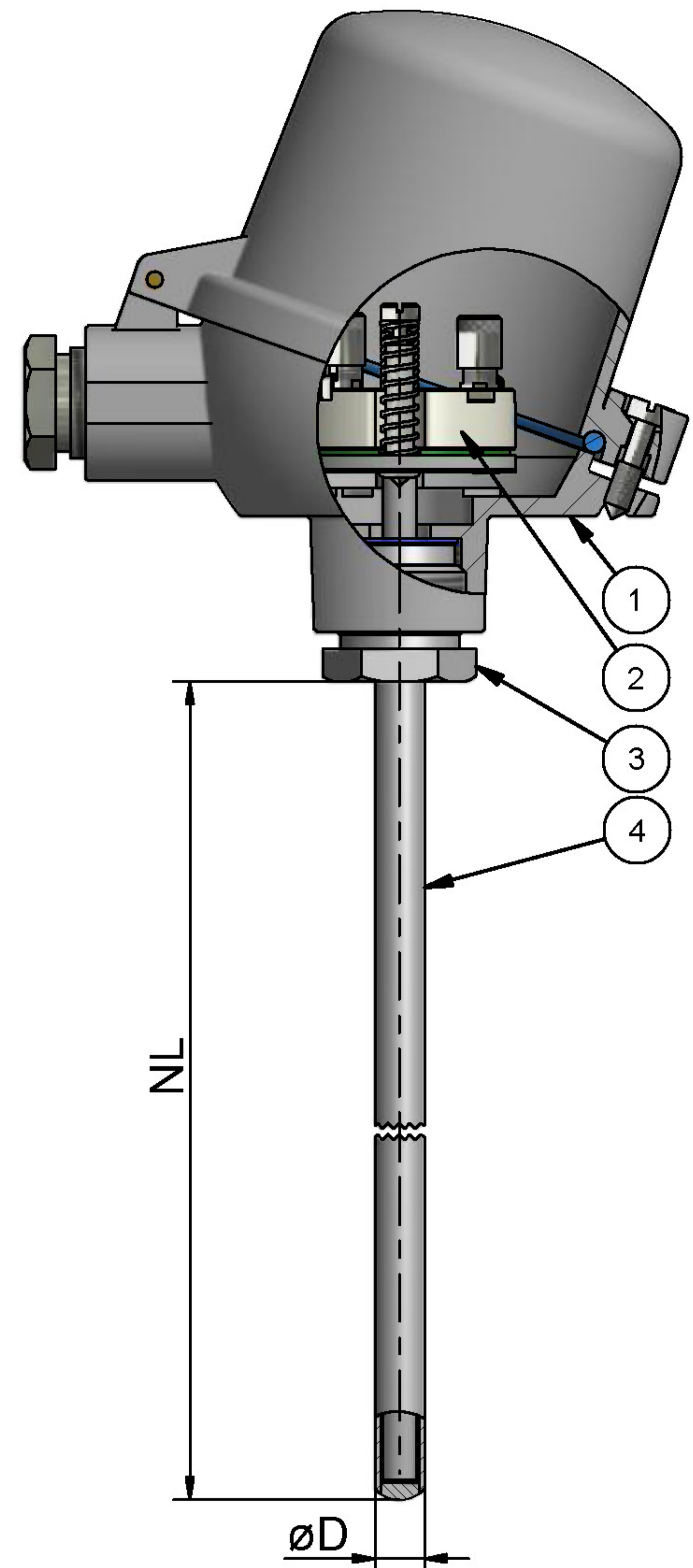
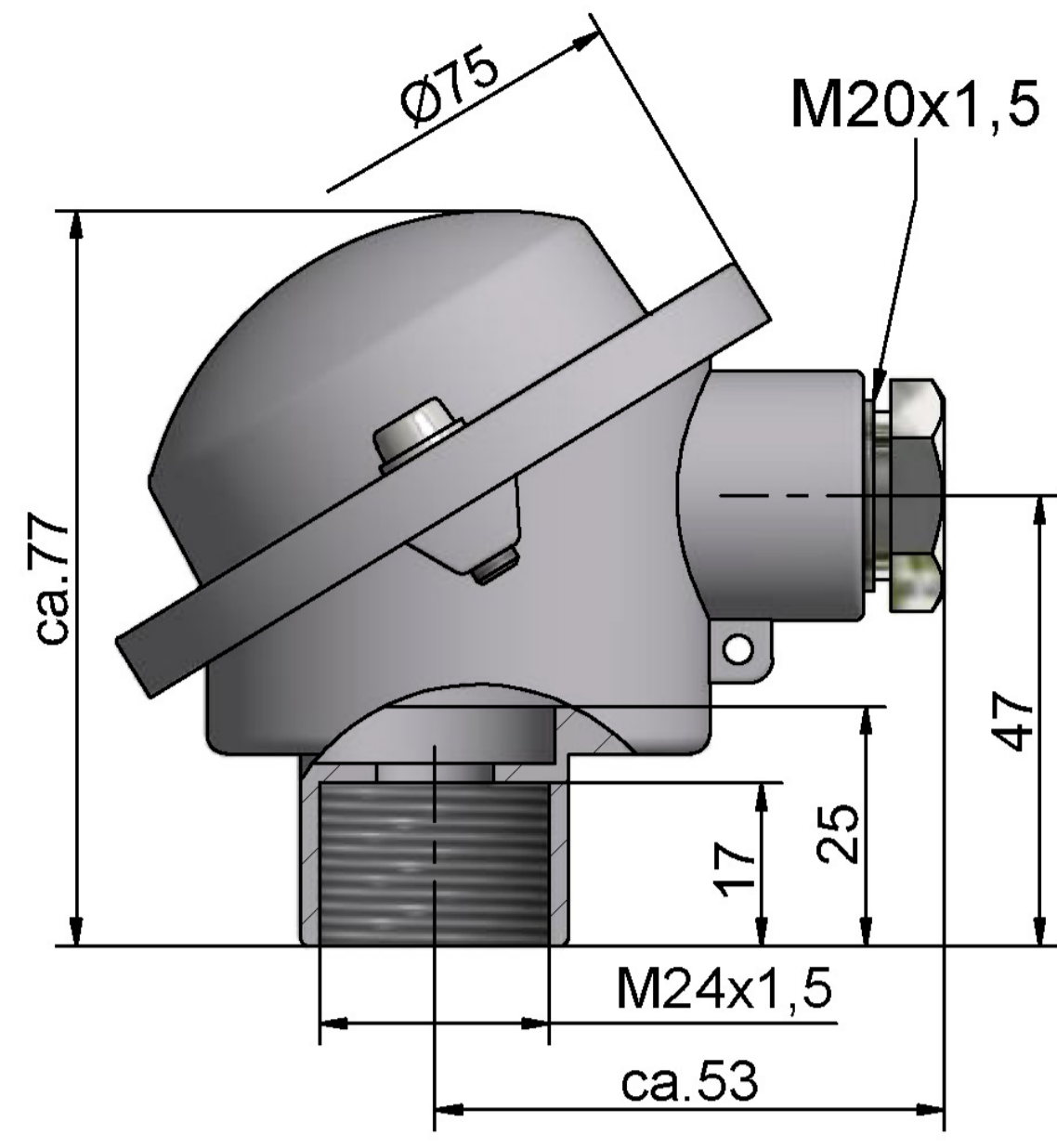


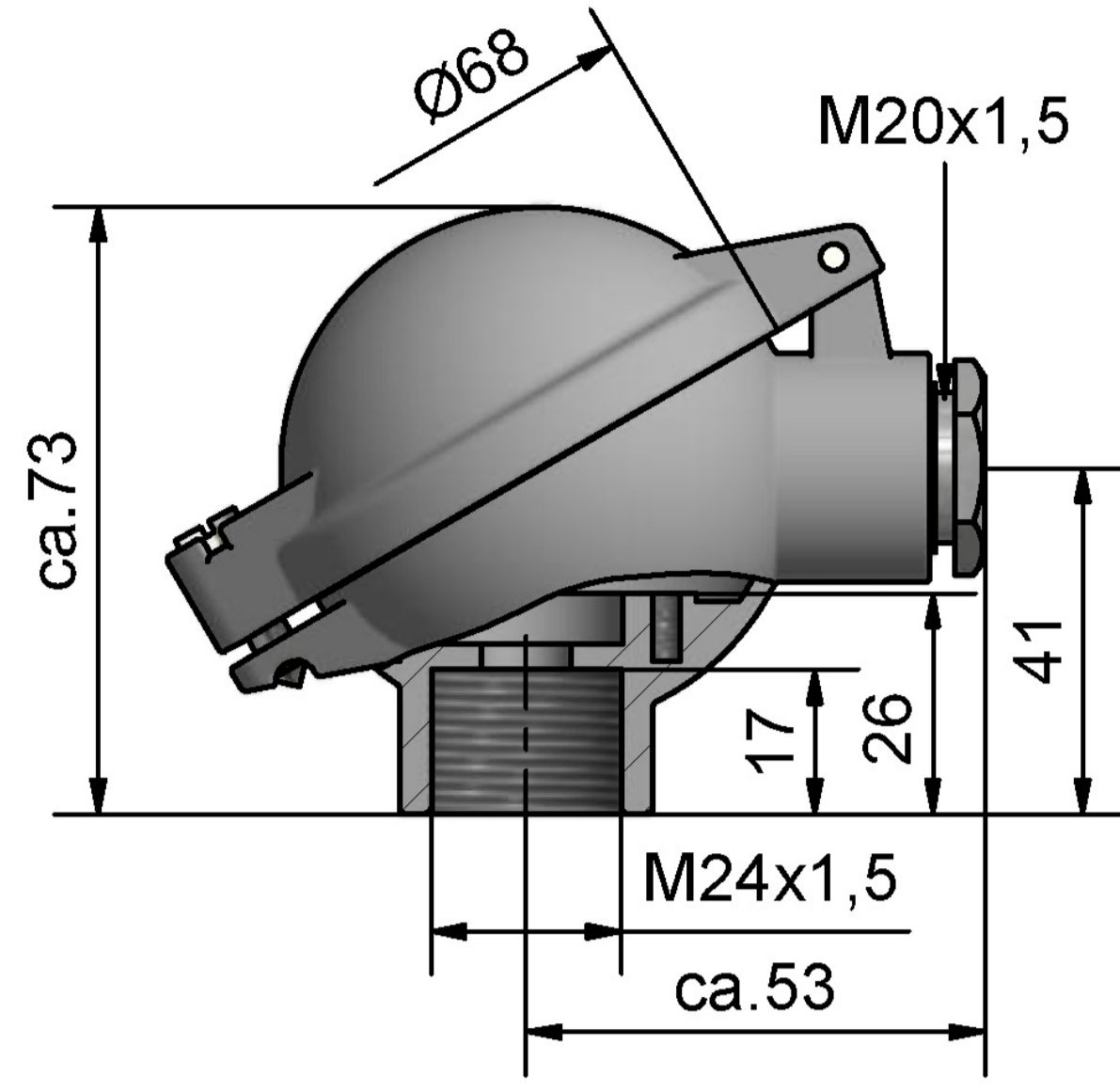
fig. 1

Optional Connection heads / wiring diagram

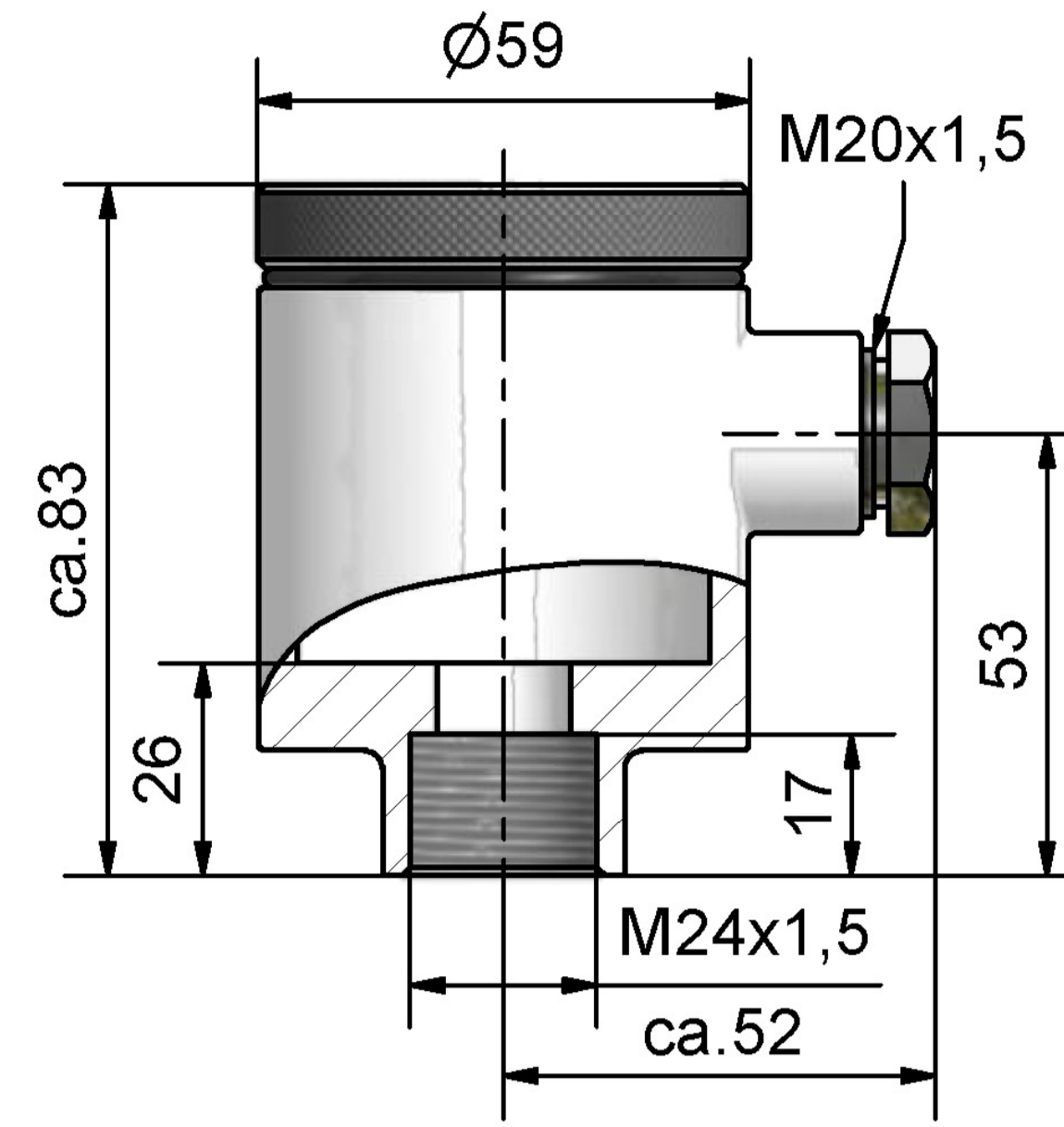
As an alternative to the cable gland, an M12 flush-type connector is possible.



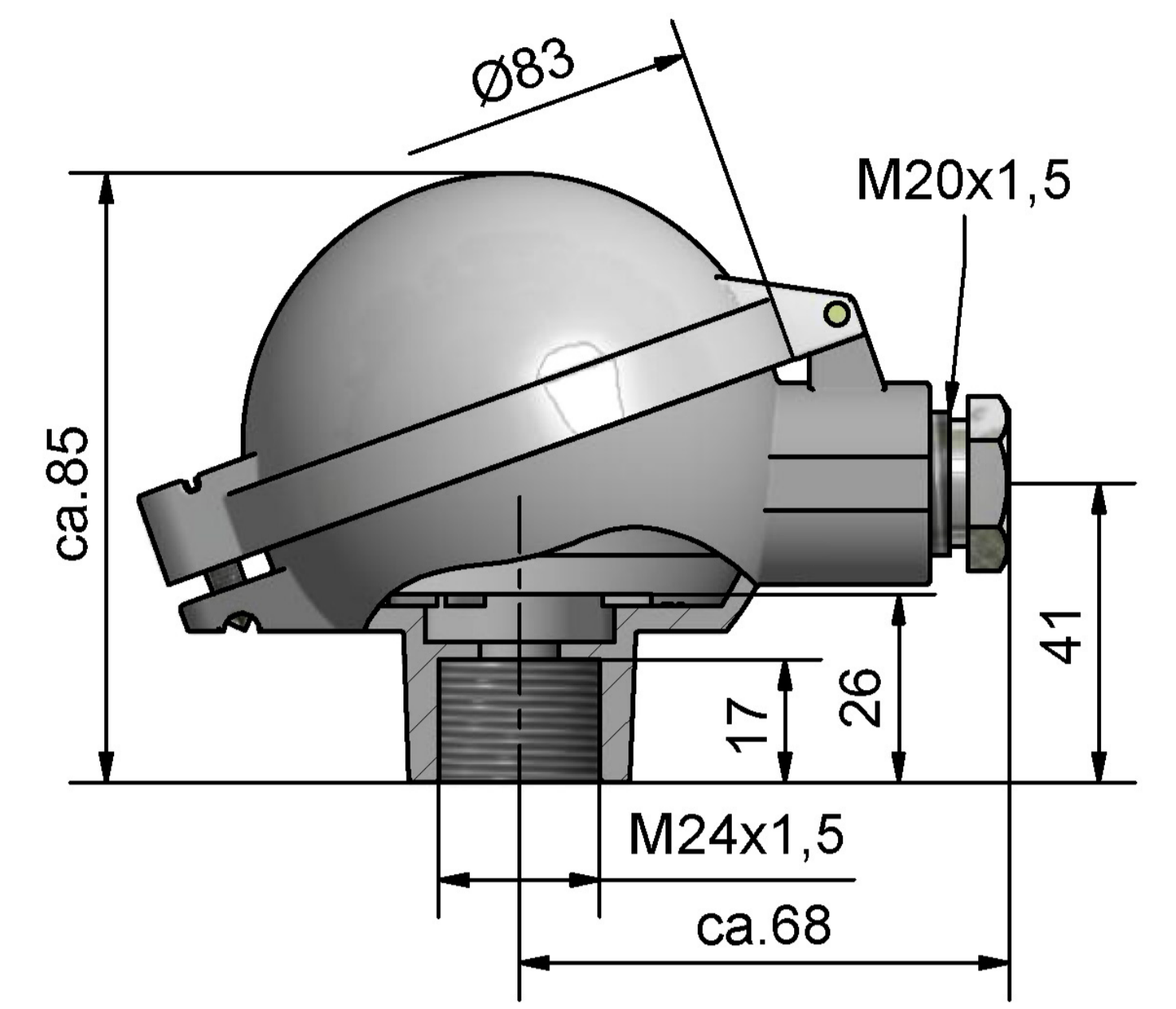
head model B-G12
M24 x 1,5



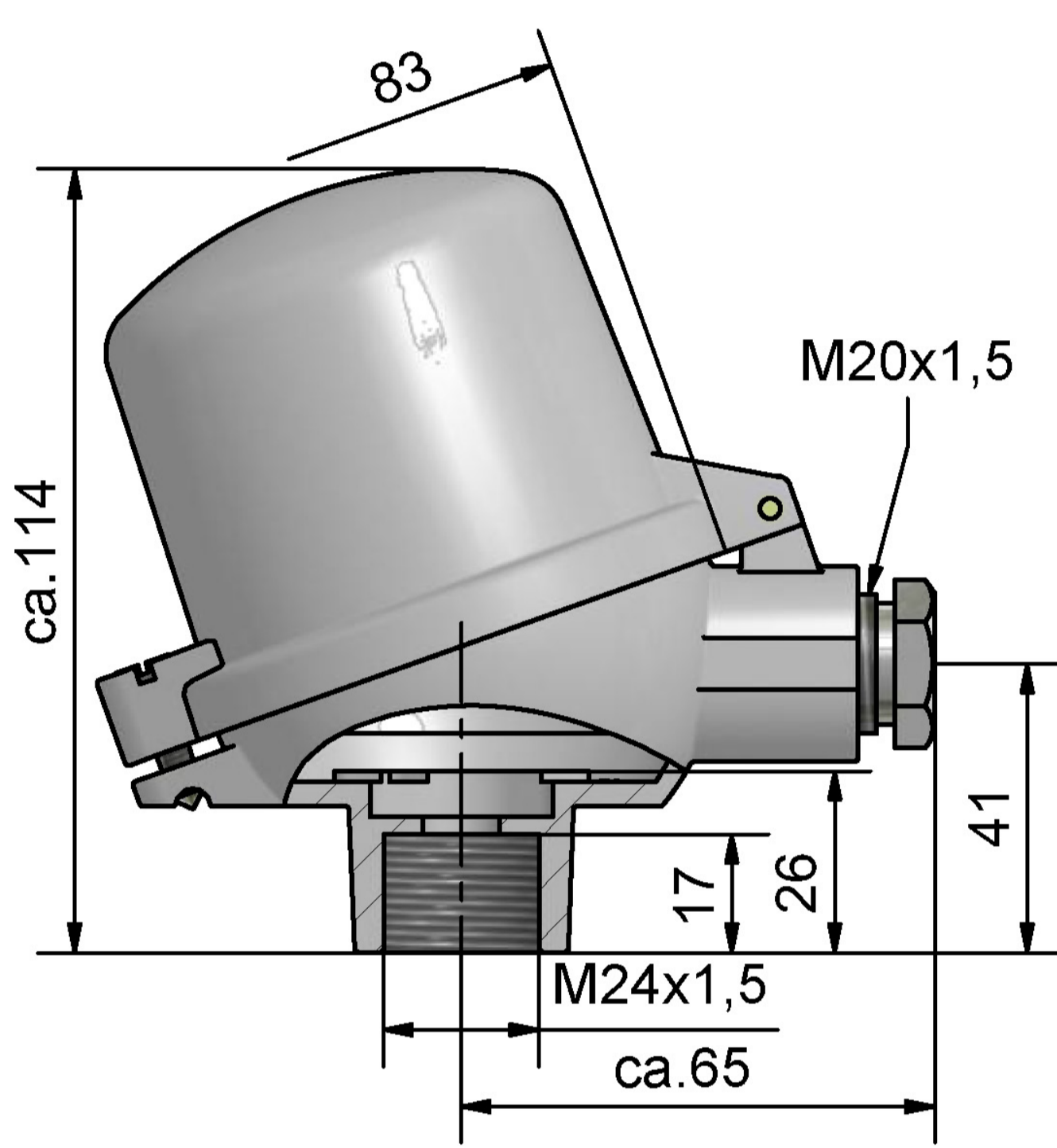
head model B-KL
M24 x 1,5



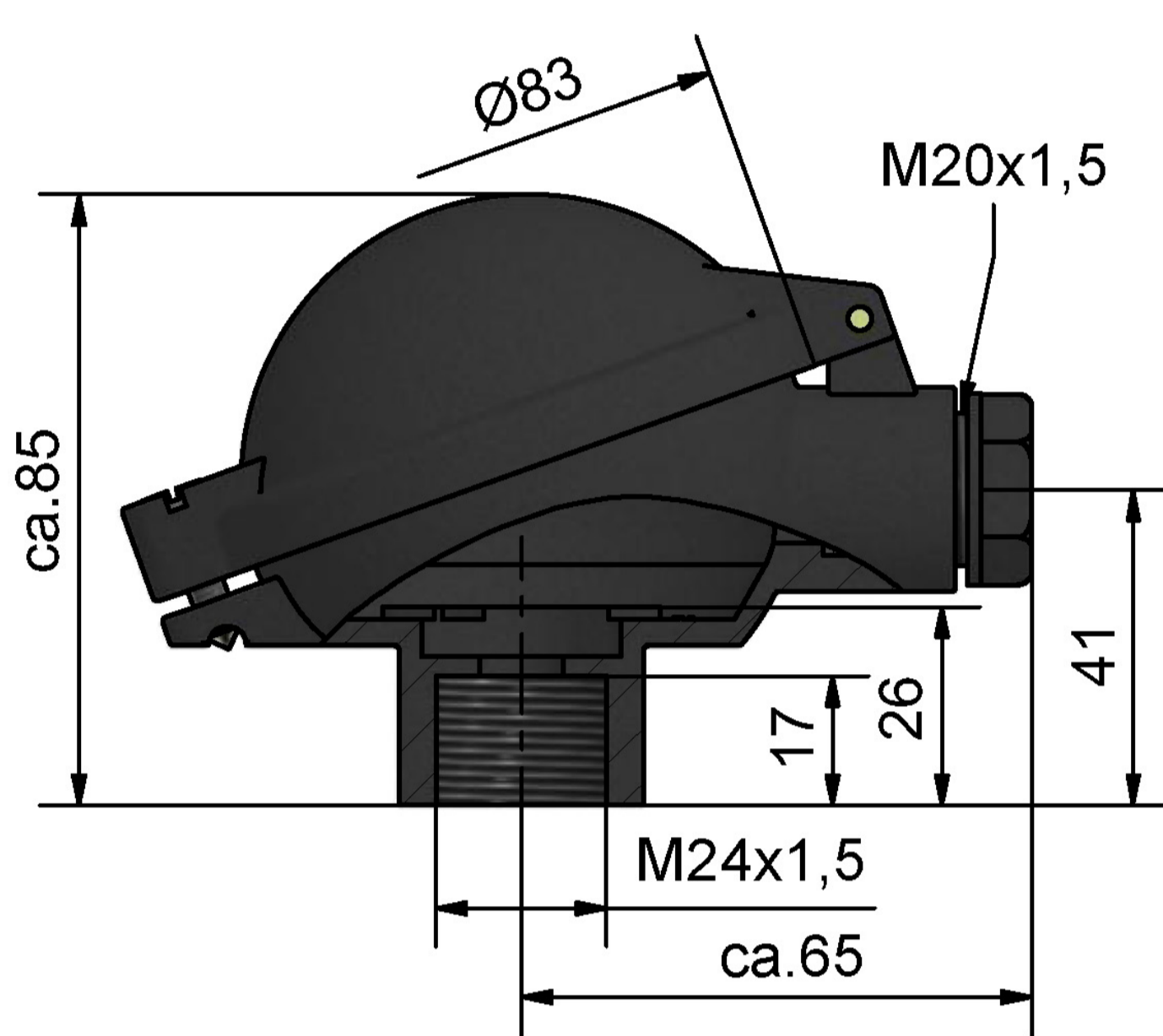
head model B-VA
M24 x 1,5



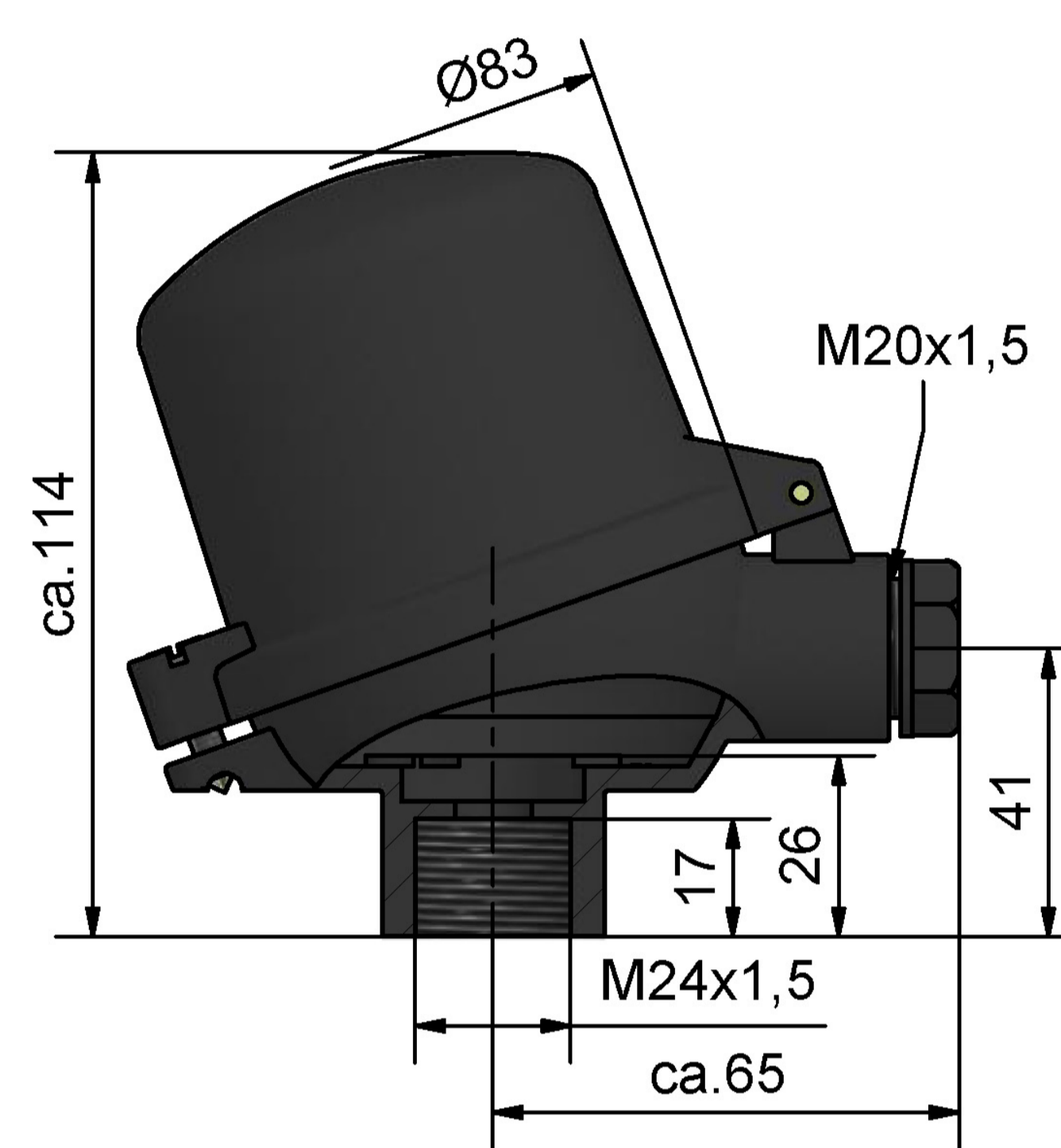
head model BA-KL
M24 x 1,5



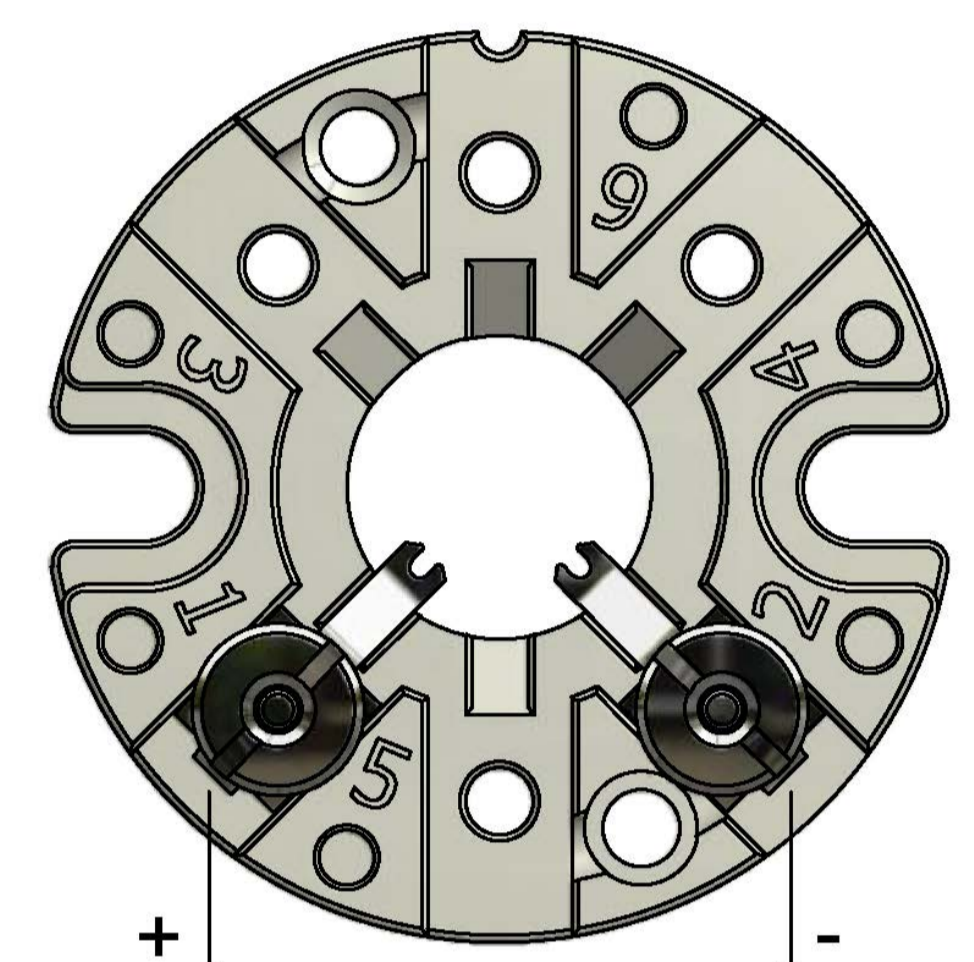
head model BA-KLH
M24 x 1,5



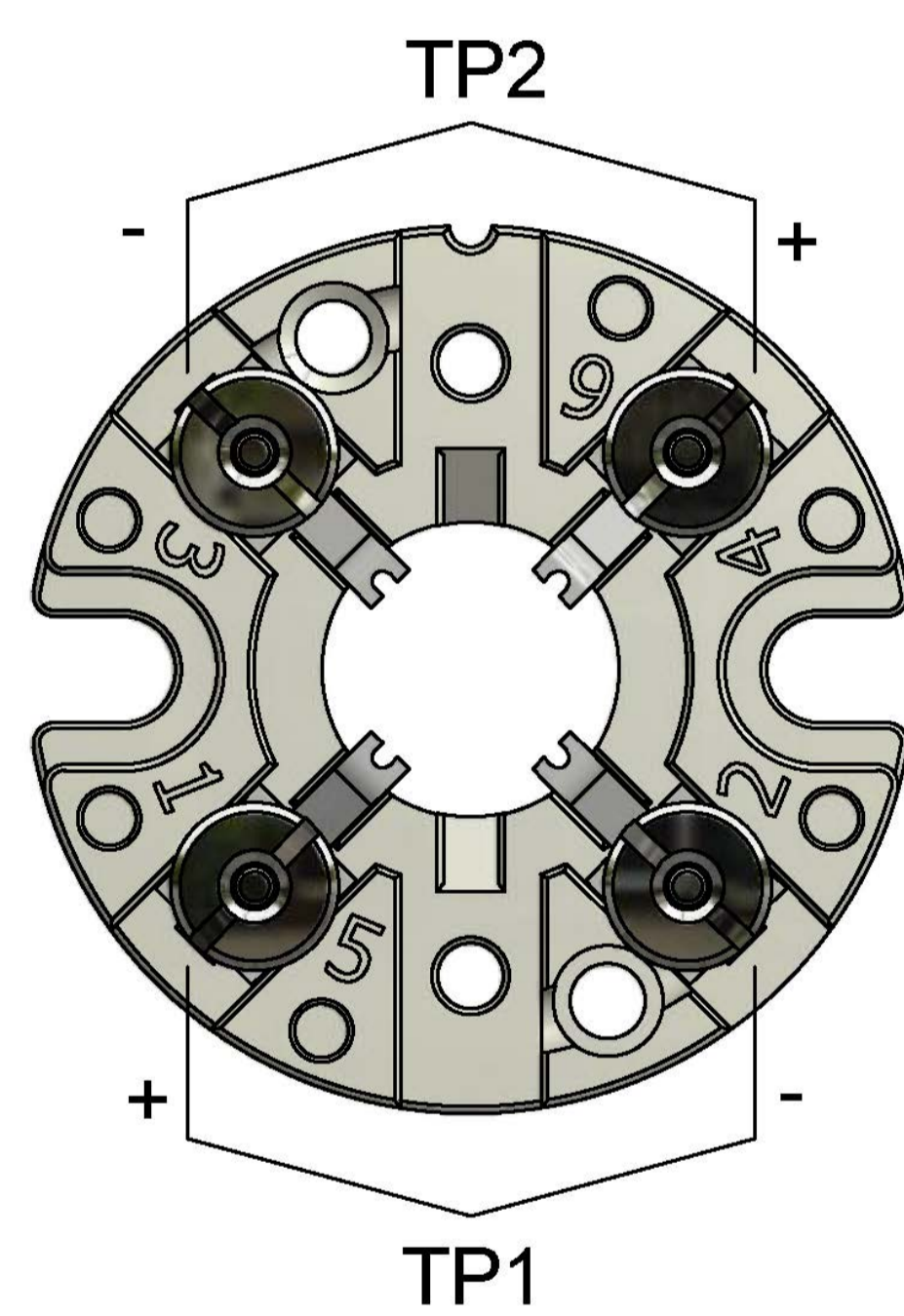
head model B-KUKL
M24 x 1,5



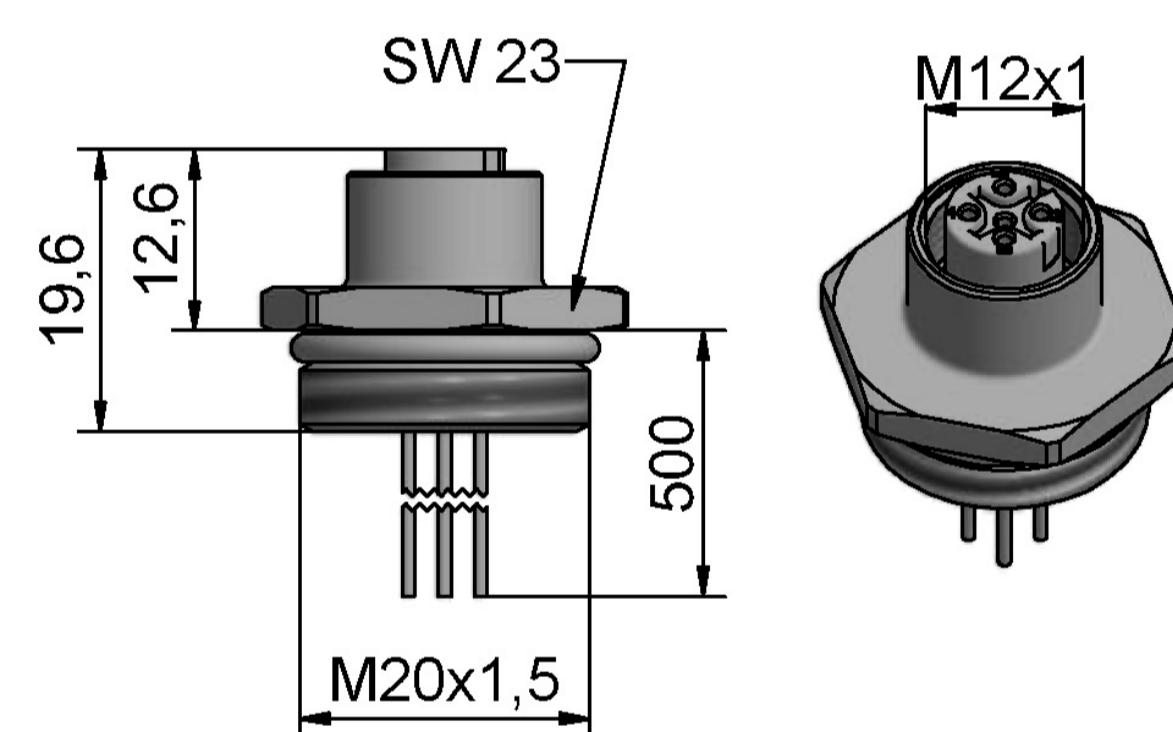
head model B-KUKLH
M24 x 1,5



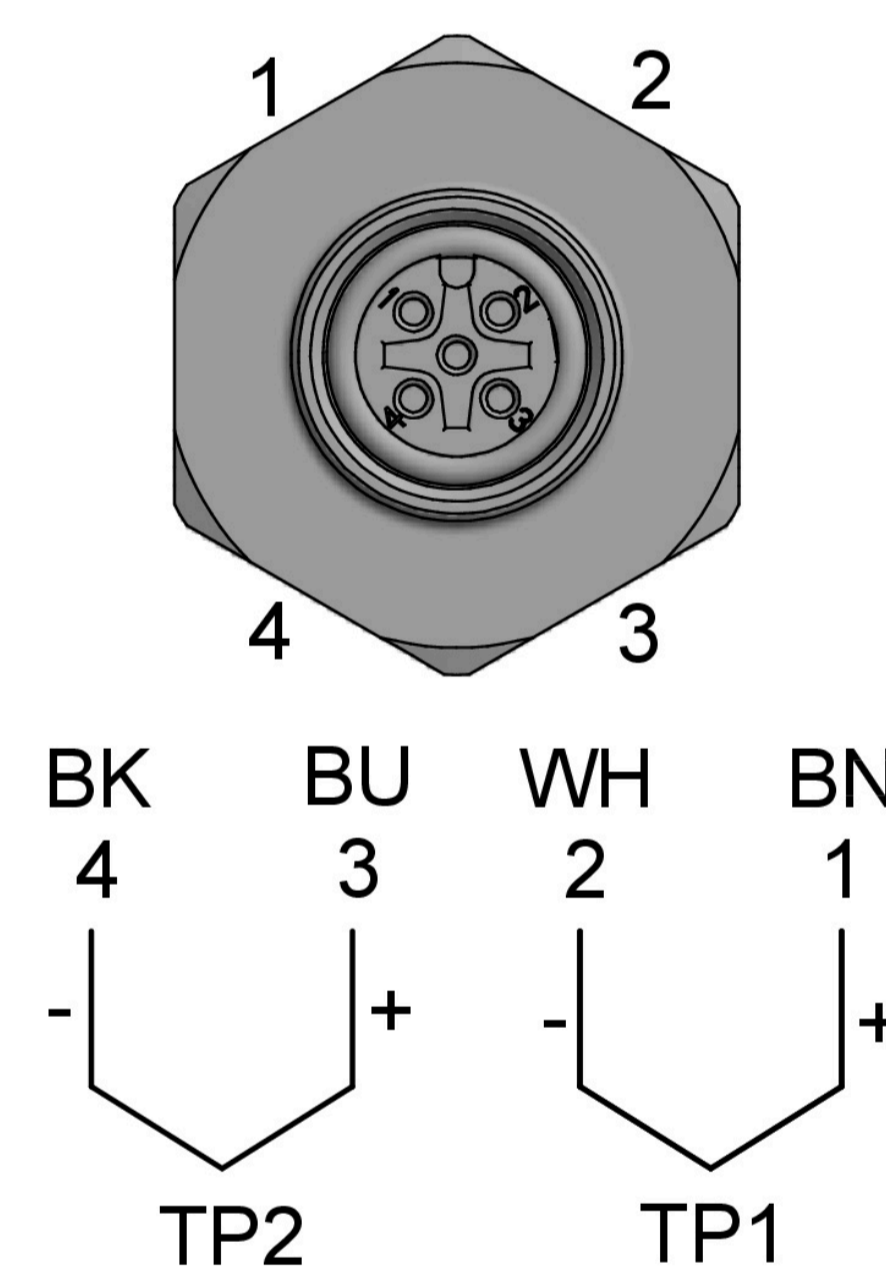
standard socket
1 thermocouple



standard double socket
2 Thermocouple



M12 insert socket
4-terminals



M12 insert socket
2 thermocouples