

Resistance Temperature Detector R11 model RKW 8

RTD cable- sensor model RKW 8, sensor sleeve with directly connected cable

In general

The temperature sensors manufactured by Reckmann GmbH (R58®) are solely intended for the measurement of process temperatures in solid, liquid and gaseous media. This cable sensor are especially for measuring of a surface temperature.

Application area:

Uncritical process conditions at machine and plant engineering, food and beverage industry, power plant technology, pipeline construction

For installation please see our operating instructions.

Stock-number-code: 1R11-W8

Technical datas

- **Measuring insert** (fig.1/2+4) cable and sensor are directly connected, isolated and mounted into the sensor sleeve, cable with 50 mm free ends(L2).
- **Sensor** depending on use:
 - thin film or ceramic according to IEC / EN 60751, in 1 x 3-, 1 x 4-, 2 x 2-, 2 x 3- oder 2 x 4 - Leiterschaltung. Recommended operating temperature on the measuring tip up to 350 °C. accuracy class according to IEC / EN 60751
 - Operating temperature PT100**
 - 50°C up to + 500°C for thin film sensors,
 - 200°C up to + 600°C for ceramic sensors,
 - 200°C up to + 450°C for glass sensors.
- **Sensor sleeve** (fig.1/4)
 - Preference material 1.4571
 - Preference diameter 3, 4 or 6 mm,
 - Preference nominal length 30, 50 and 100 mm,
 - other on request.
- **Temperature range** of the cable (fig.1/2) static installed:
 - PVC isolated -20°C up to 80°C , silicone isolated -50°C up to 180°C
 - FEP isolated -100°C up to 205°C , PFA shield -190 °C up to 250 °C
 - PTFE isolated -100 up to 260 °C, glass silk isolated -50°C up to 350°C.
- **Temperature range** of the plug connector(see side 2):
 - Compensation plug connector(Typ B) -40 °C up to 200 °C, Lemo -55 °C up to 200 °C and M12 -40 °C up to 85 °C.
- **Optional** with anti-kink spring (fig. 1/3).
 - Sleeve and cable (fig. 1/2+4) standard "squeezed" on request roller-burnished.

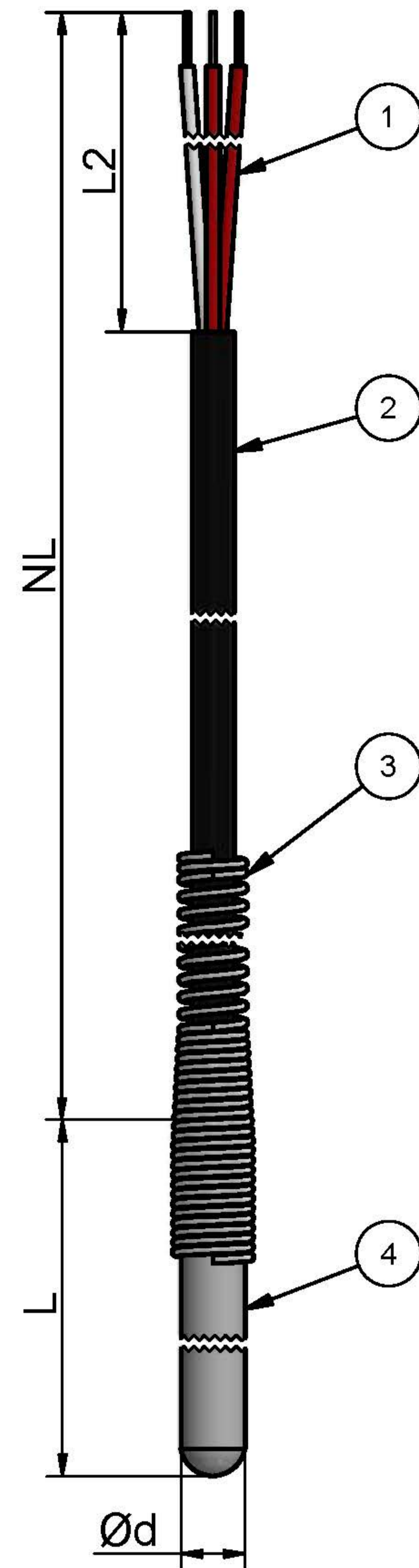
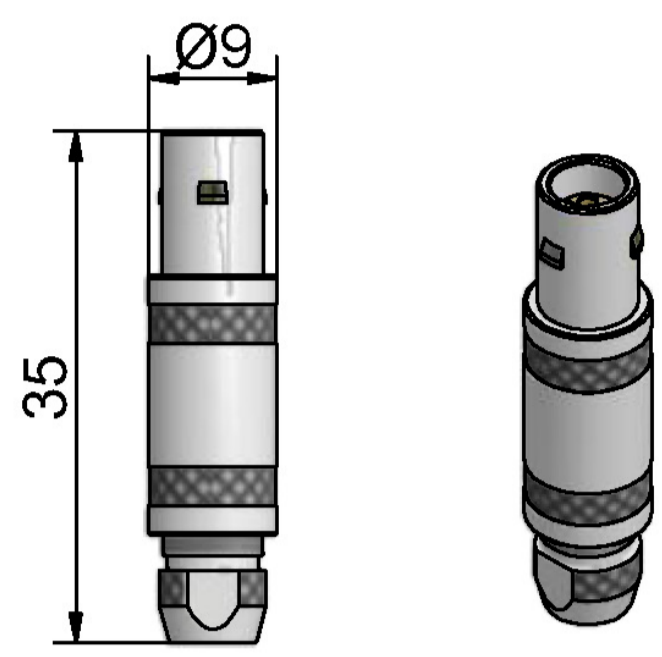


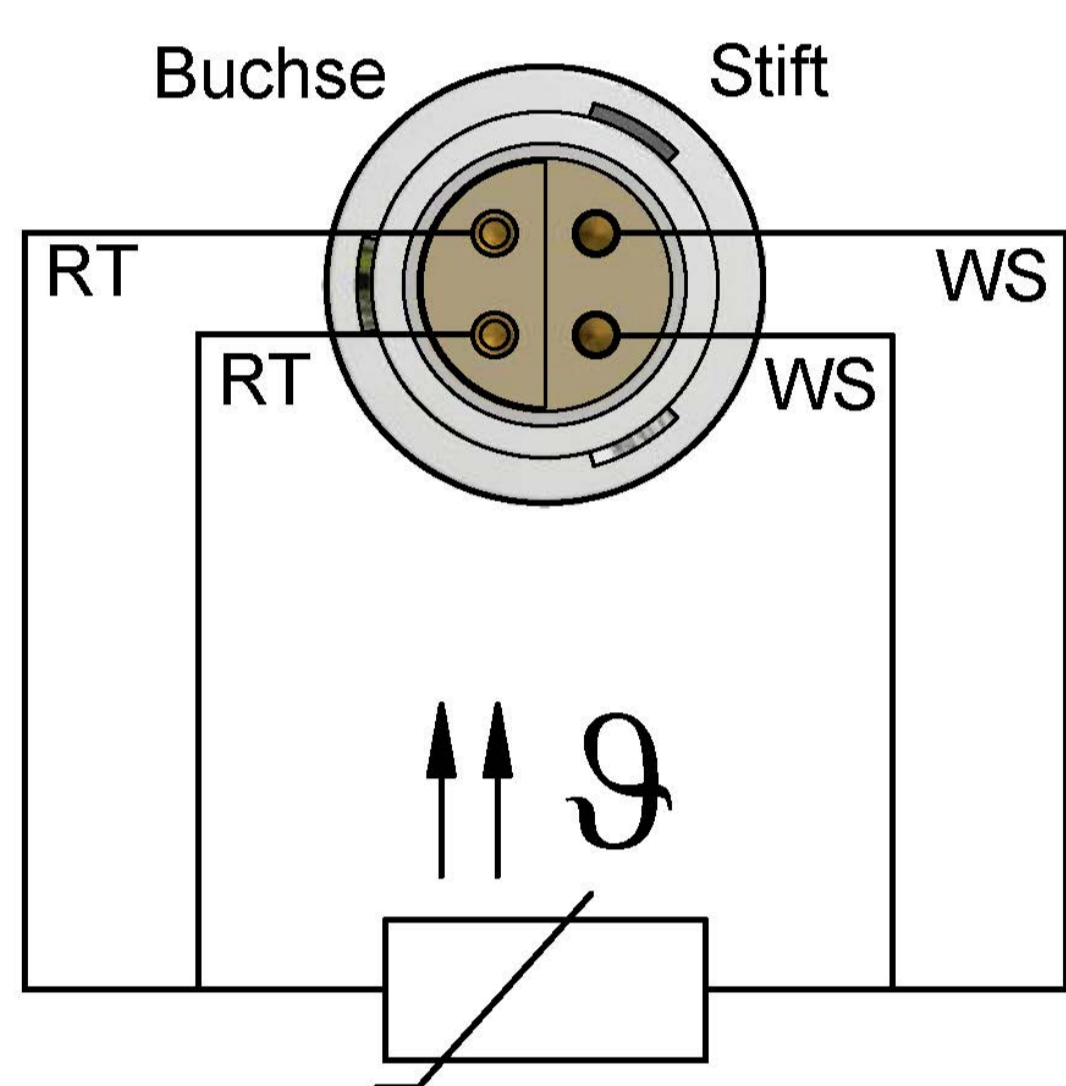
fig. 1

Optional plug connector

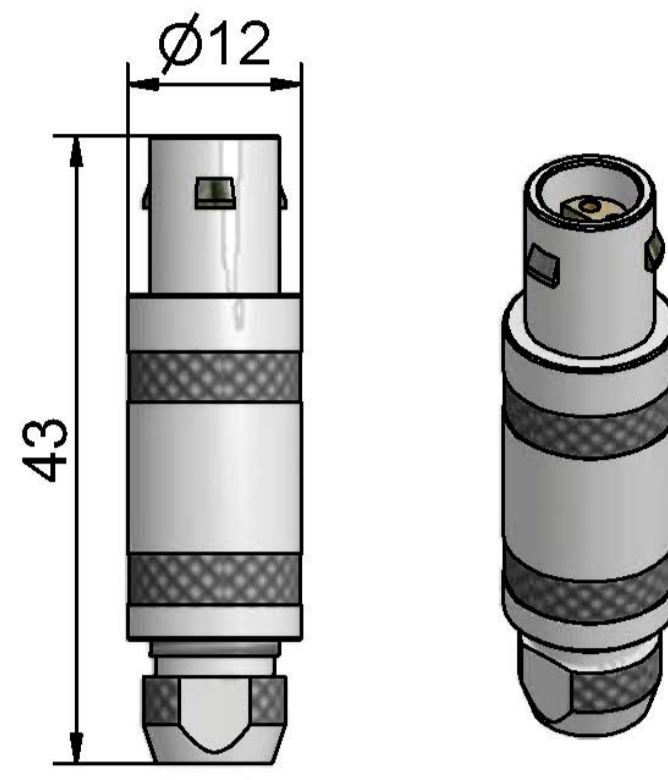
Examples of plug connectors with connection scheme



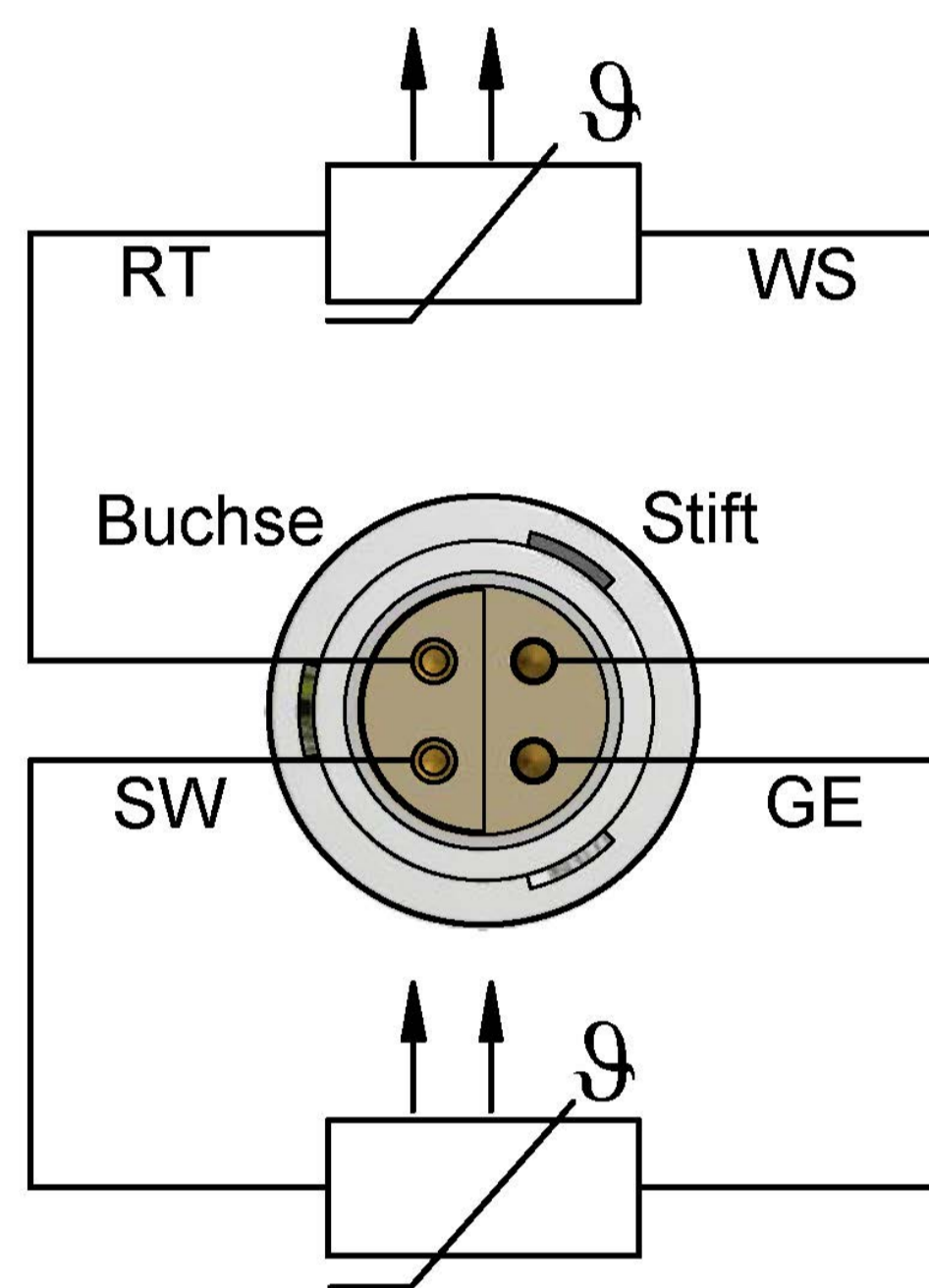
Lemo plug size 0



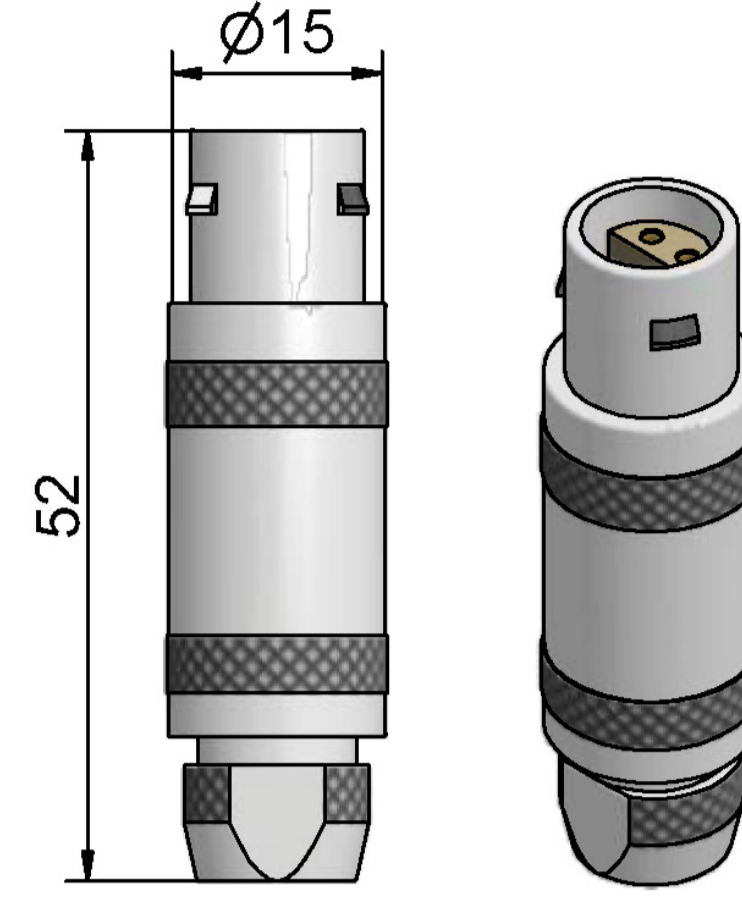
Lemo plug 1 x 4 wire front view



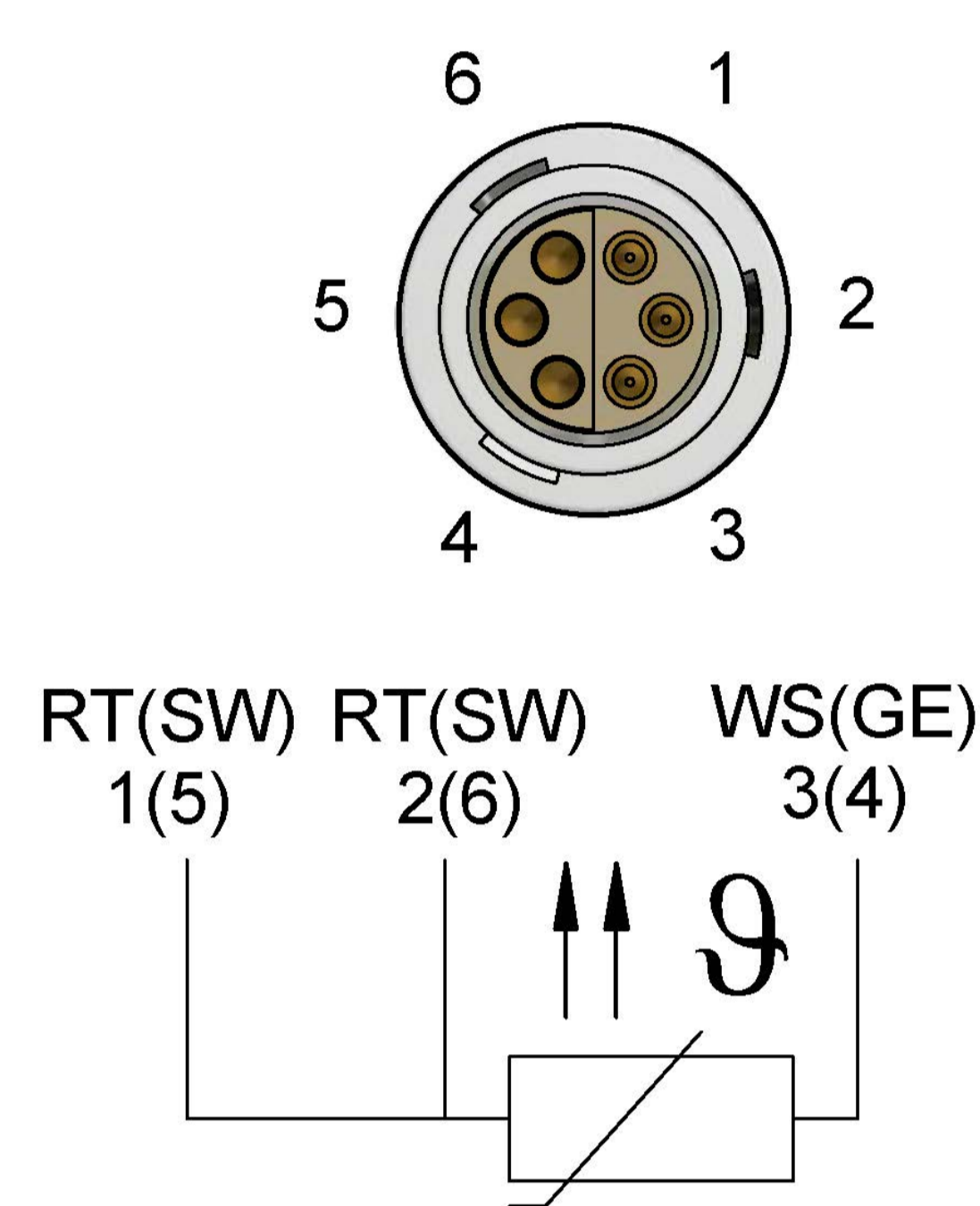
Lemo plug size 1



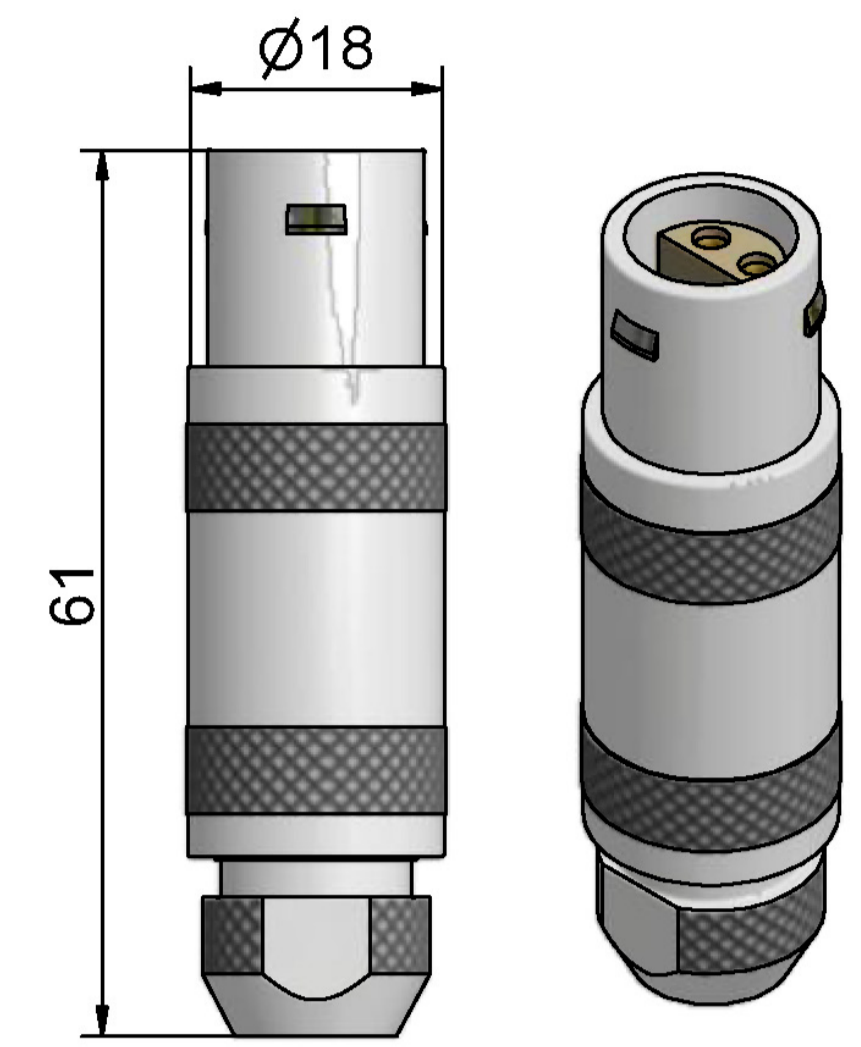
Lemo plug 2 x 2 wire front view



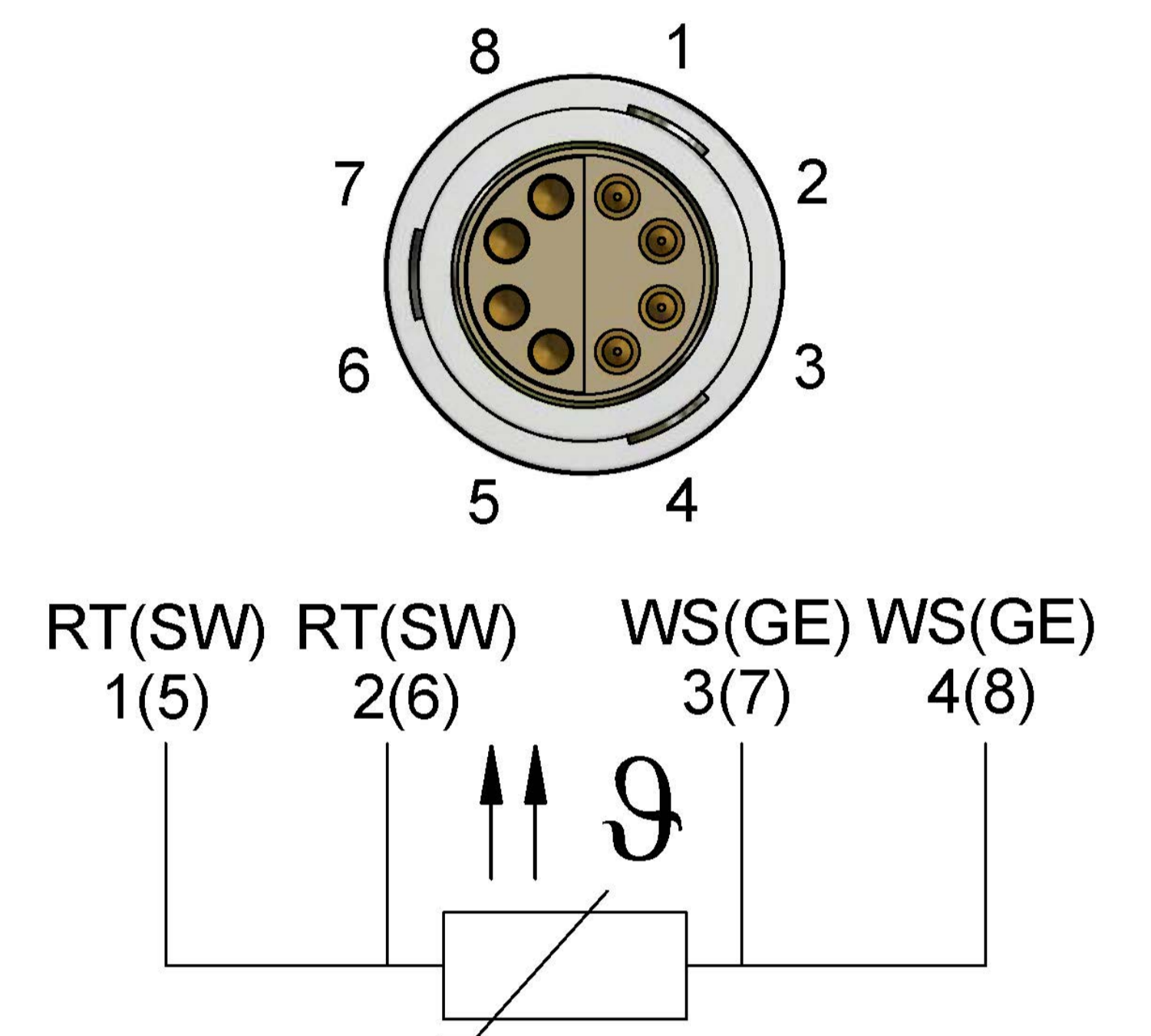
Lemo plug size 2



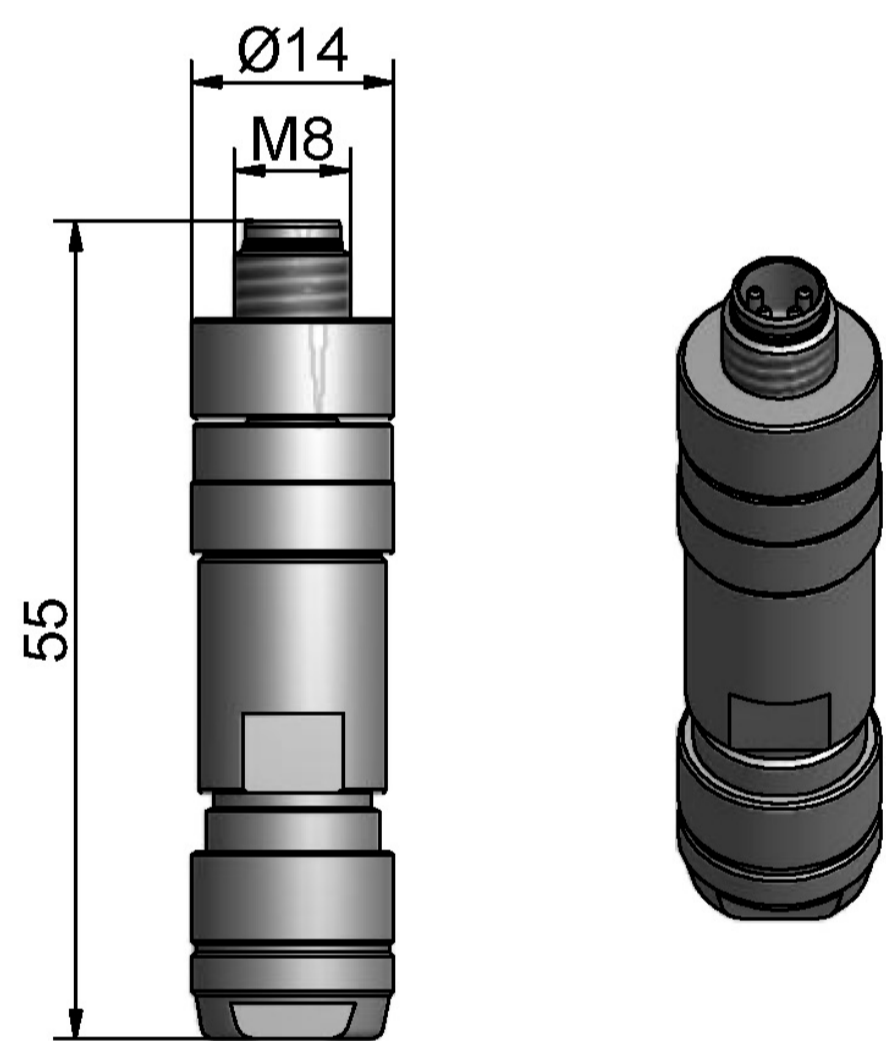
Lemo plug 2 x 3 wire front view



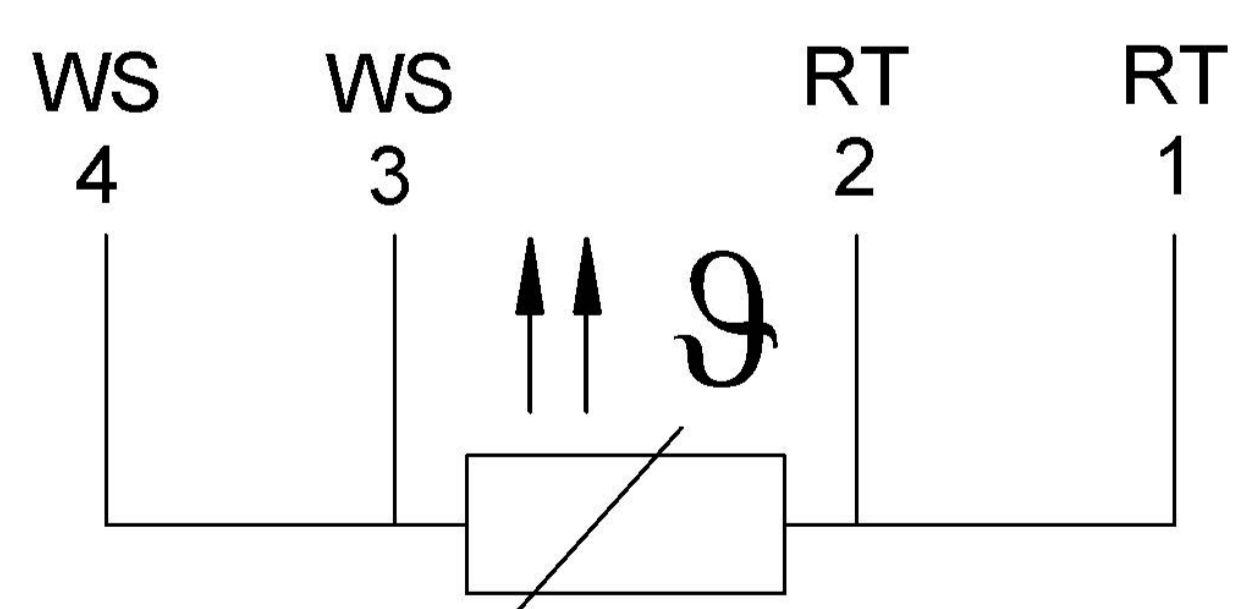
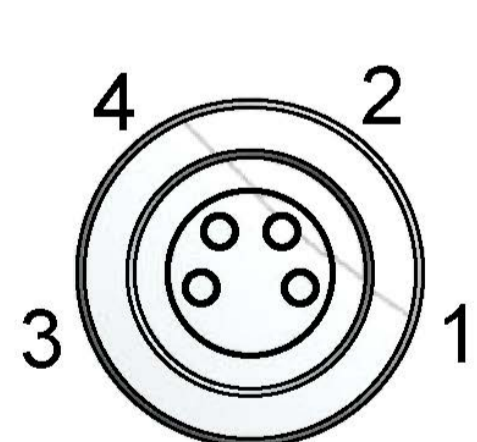
Lemo plug size 3



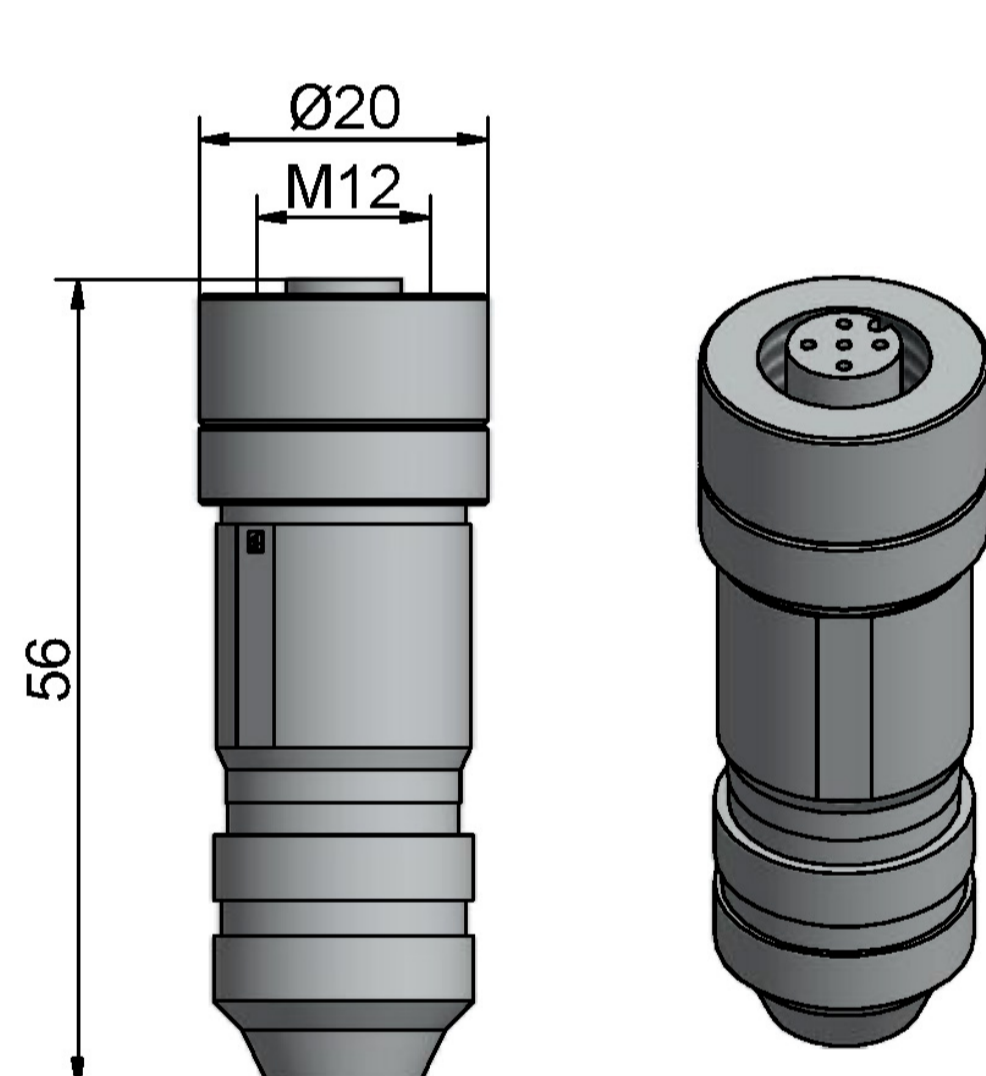
Lemo plug 2 x 4 wire front view



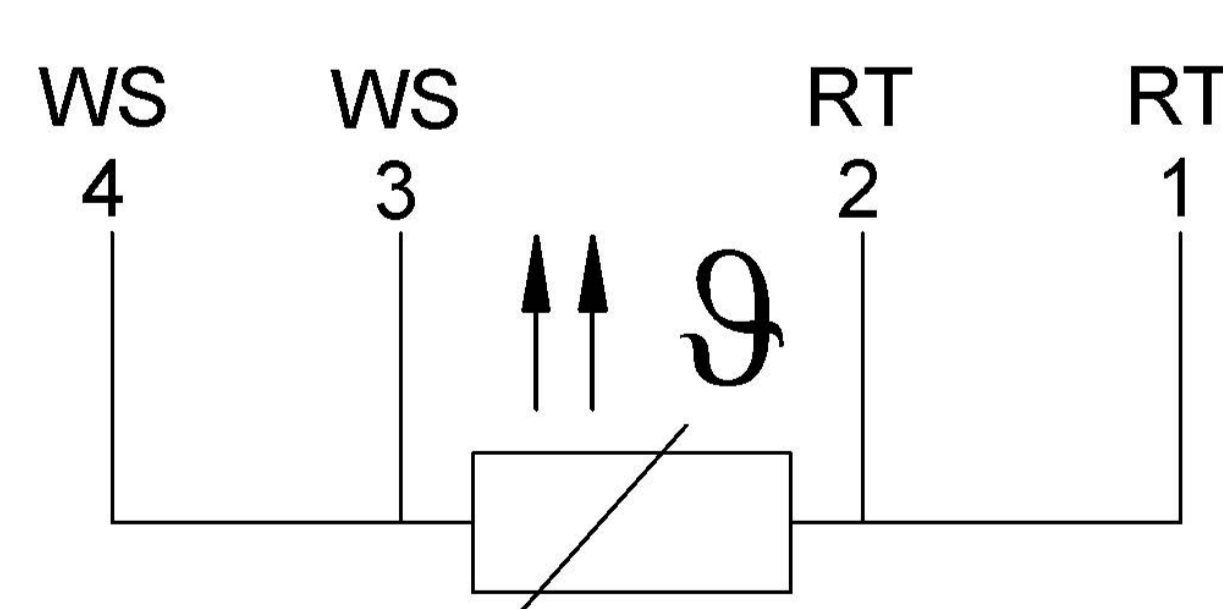
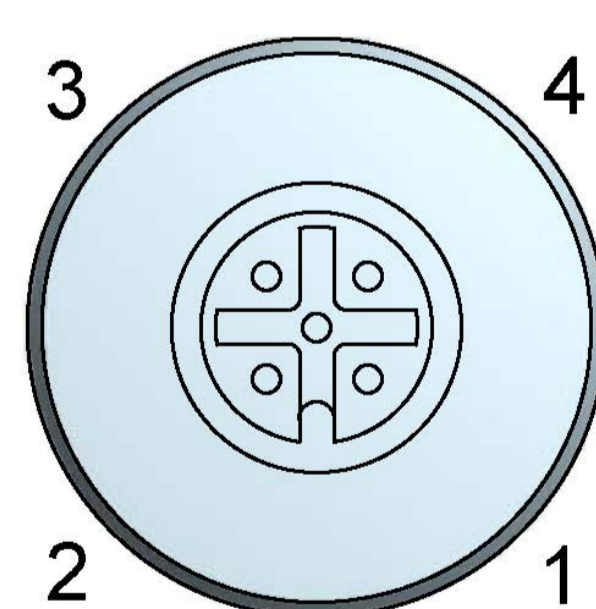
M8 socket 4 - terminal screened



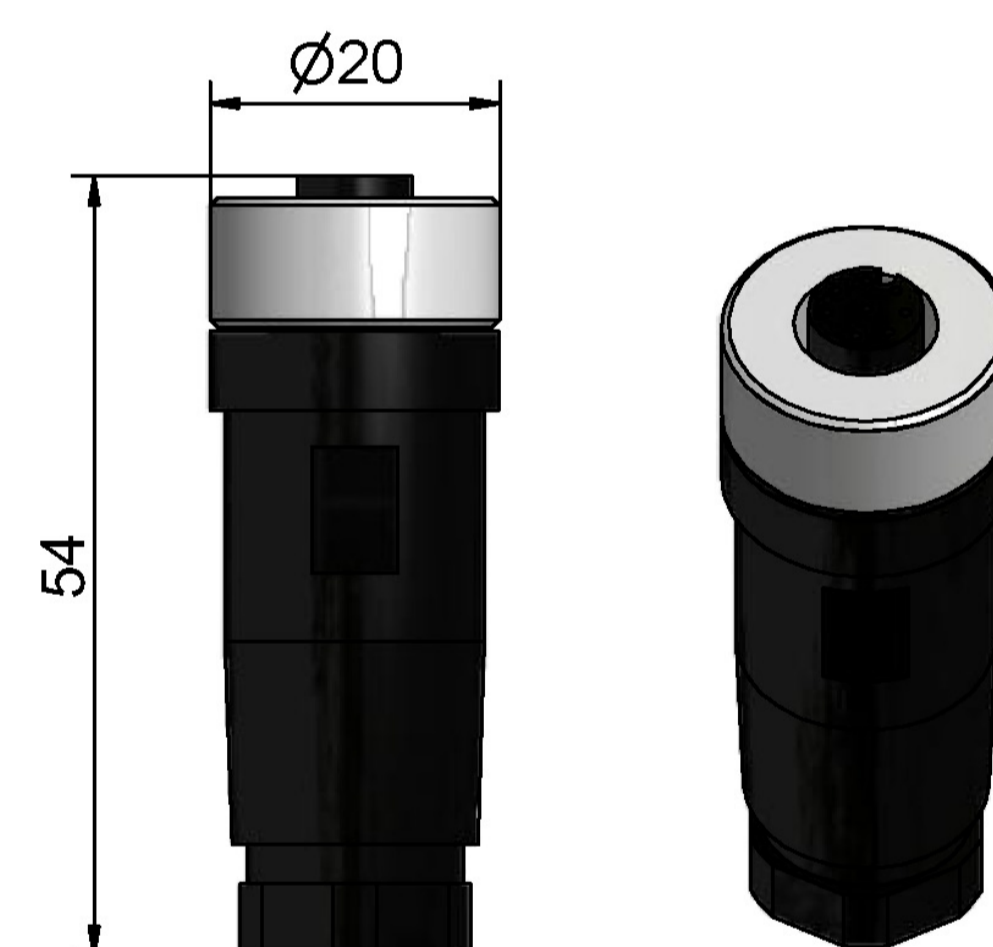
M8 socket 1 x 4 wire front view



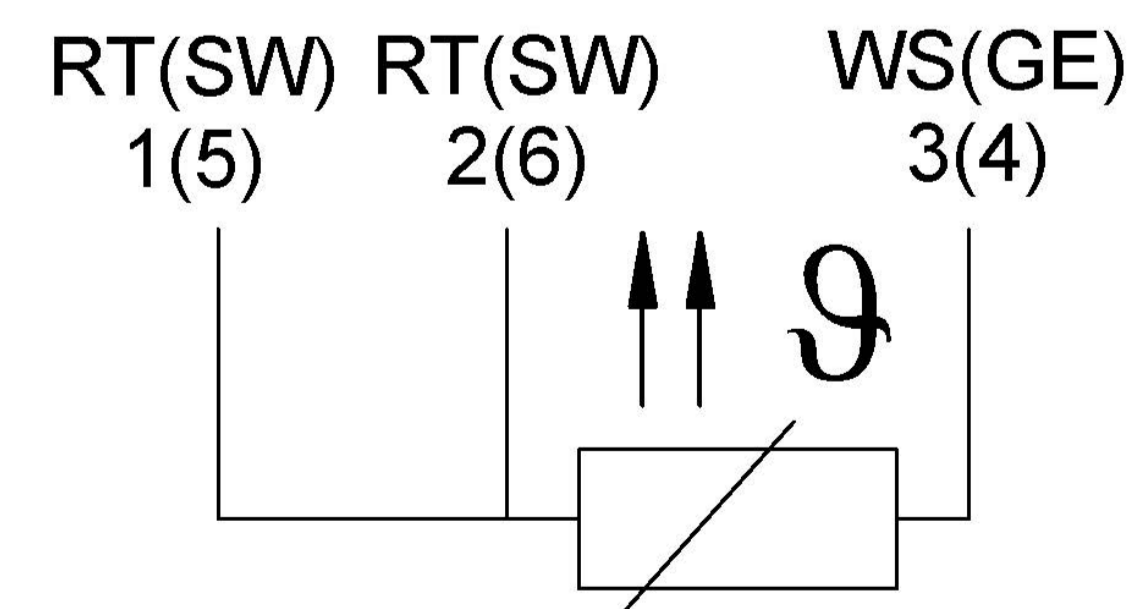
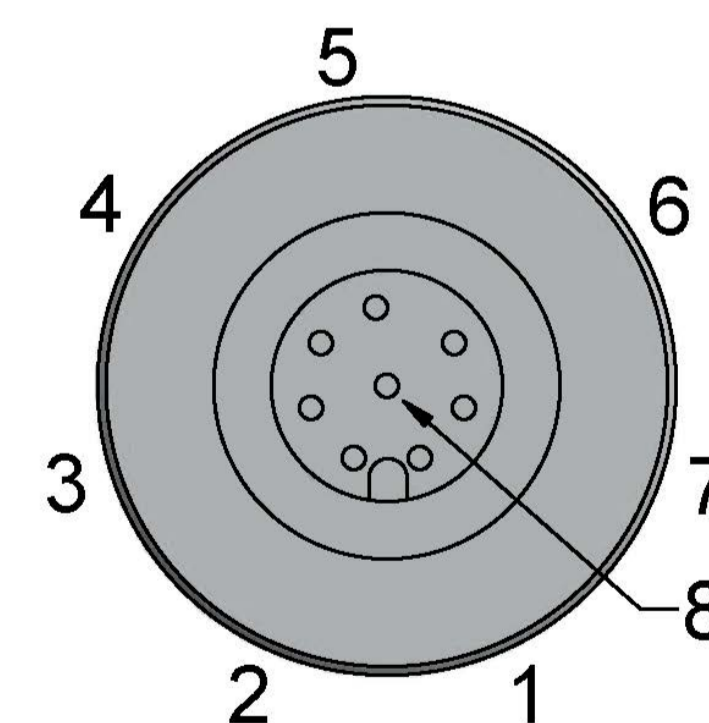
M12 socket 4 - terminal screened



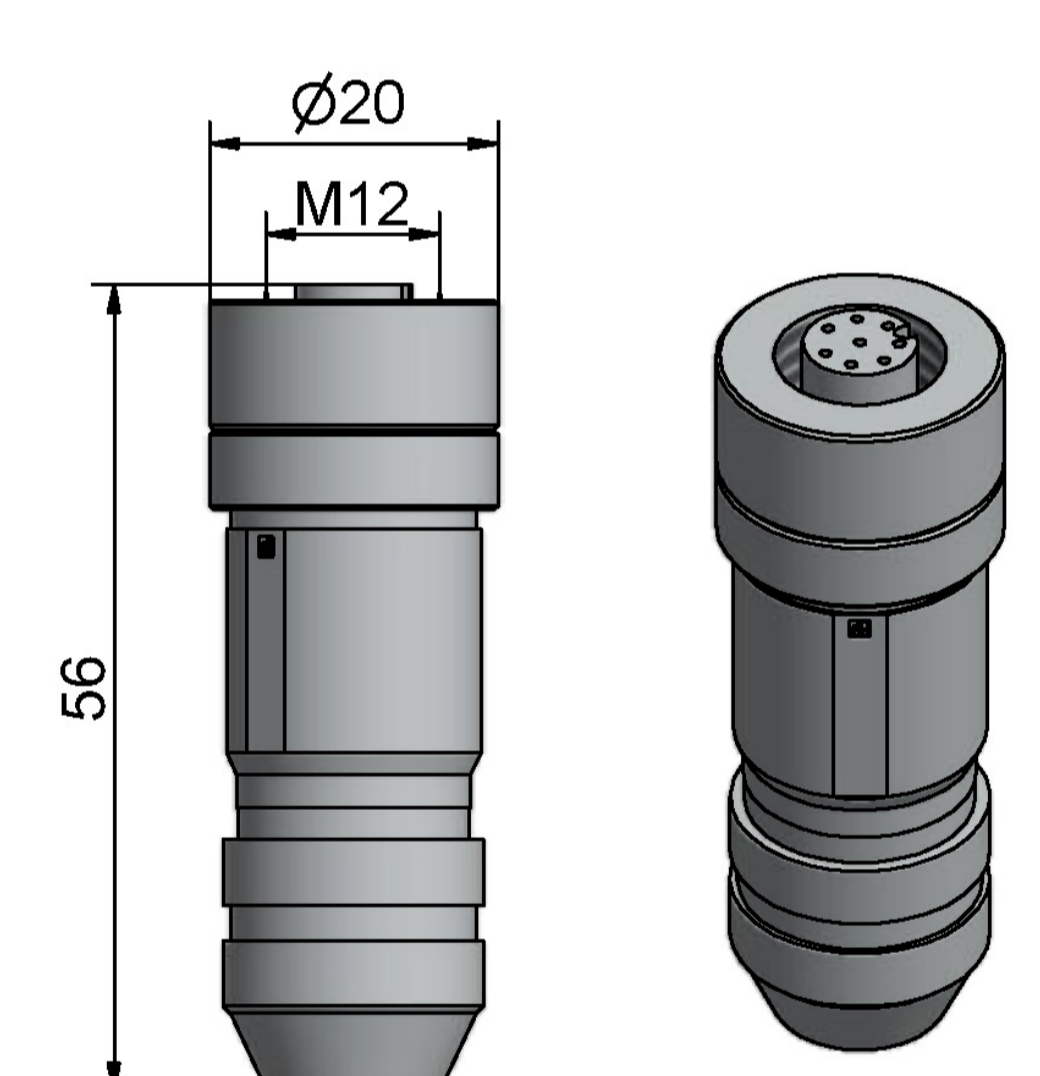
M12 socket 1 x 4 wire front view A- code



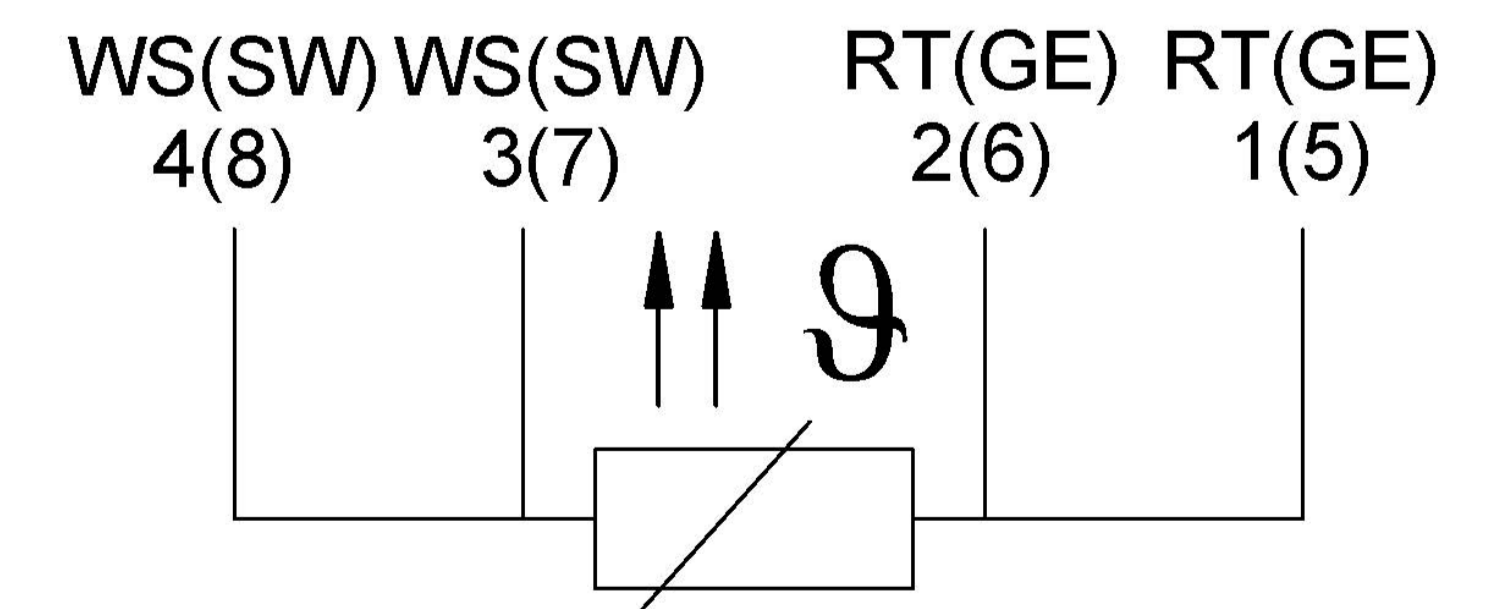
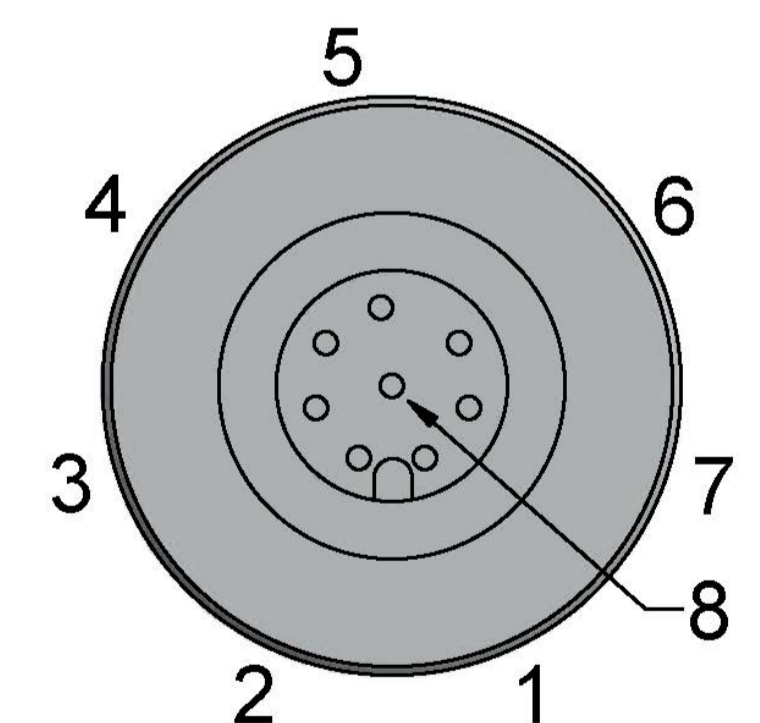
M12 socket 8 - terminal



M12 socket 2 x 3 wire front view A- code



M12 socket 8 - terminal screened



M12 socket 2 x 4 wire front view A- code