

Resistance Temperature Detector model 32F

RTD with protection tube model 3F according or similar to DIN 43722

In general

The temperature sensors manufactured by Reckmann GmbH (R58®) are solely intended for the measurement of process temperatures in solid, liquid and gaseous media. This design allows a direct flanging to the weld-neck-flange of a process vessel or a pipeline. Tapering (similar to Namour) reduces the response time.

Application area:

Autoclave, machine and plant engineering, chemicals and food industry, power plant technology, industry of building materials, recycling.

For installation please see our operating instructions for for resistance temperature detectors (RTD).

Stock-number-code: 1R15-C3.

Technical datas

- **Connection head** (fig. 1/1) according to DIN EN 50446.
Standard connection heads: Form B-G12, B-KL, B-VA, BA-KL, BA-KS, BA-KLH, BA-KSH. Dimension see page 2.
- **Protection shell** (fig. 1/4 up to 5) according or similar to DIN 43772.
Standard material 1.4571.
Standard - D/d: 12 tapered to 9 mm.
- **Process connection** (fig.1/4) above welded blind flange according DIN EN 1092-1 Type 05 or ASME B 16.5.
Preferred flanges DN25 / DN50 PN40 Form B1..
- **Measuring insert**(fig.1/2) replaceable according to DIN 43735.
Sensor depending on use:
thin film or ceramic according to IEC / EN 60751,
standard in 1 x 3-, 1 x 4-, 2 x 3-, - oder 2 x 4 wire circuit.
Recommended operating temperature on the measuring tip depended on accuracy class according to IEC / EN 60751,
Operating temperature PT100
- 50°C up to + 500°C for thin film sensors,
- 200°C up to + 600°C for ceramic sensors,
- 200°C up to + 450°C for glass sensors.
- **Sheath material** according to IEC / EN 61515.
Standard material 1.4404,
Standard diameter 3 or 6 mm.
- **Optional:** on request oher materials, diameter or with transmitter

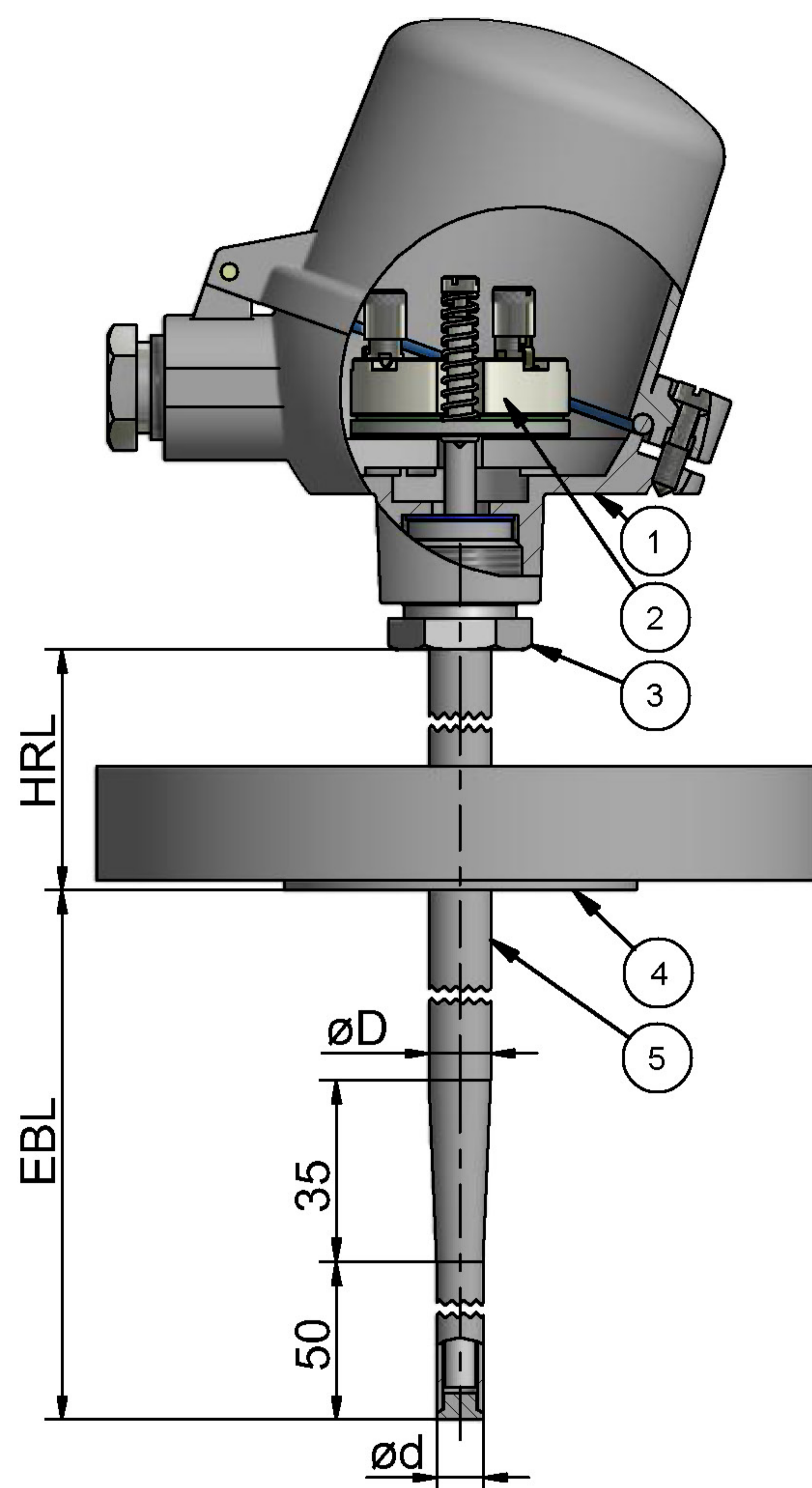
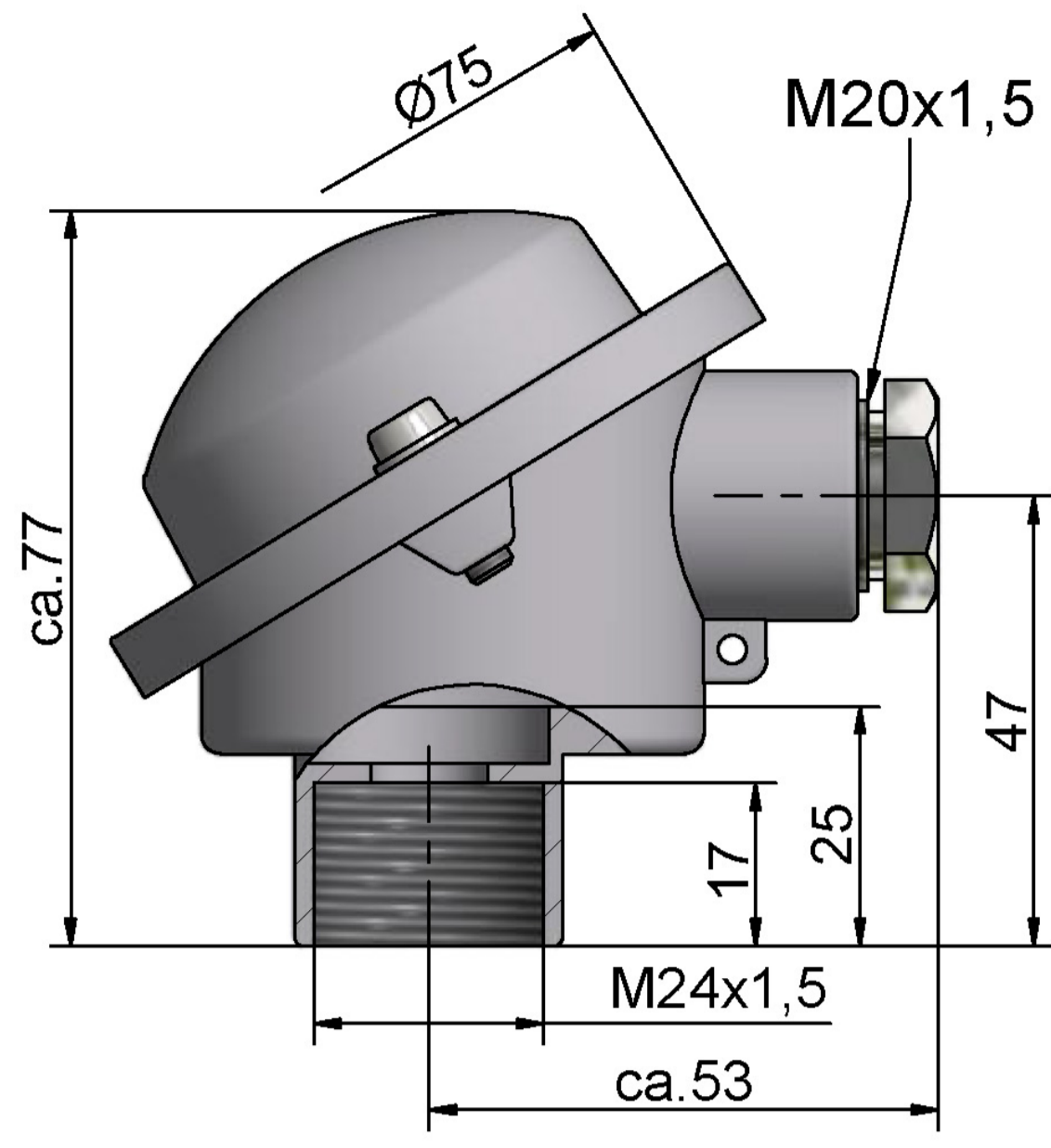


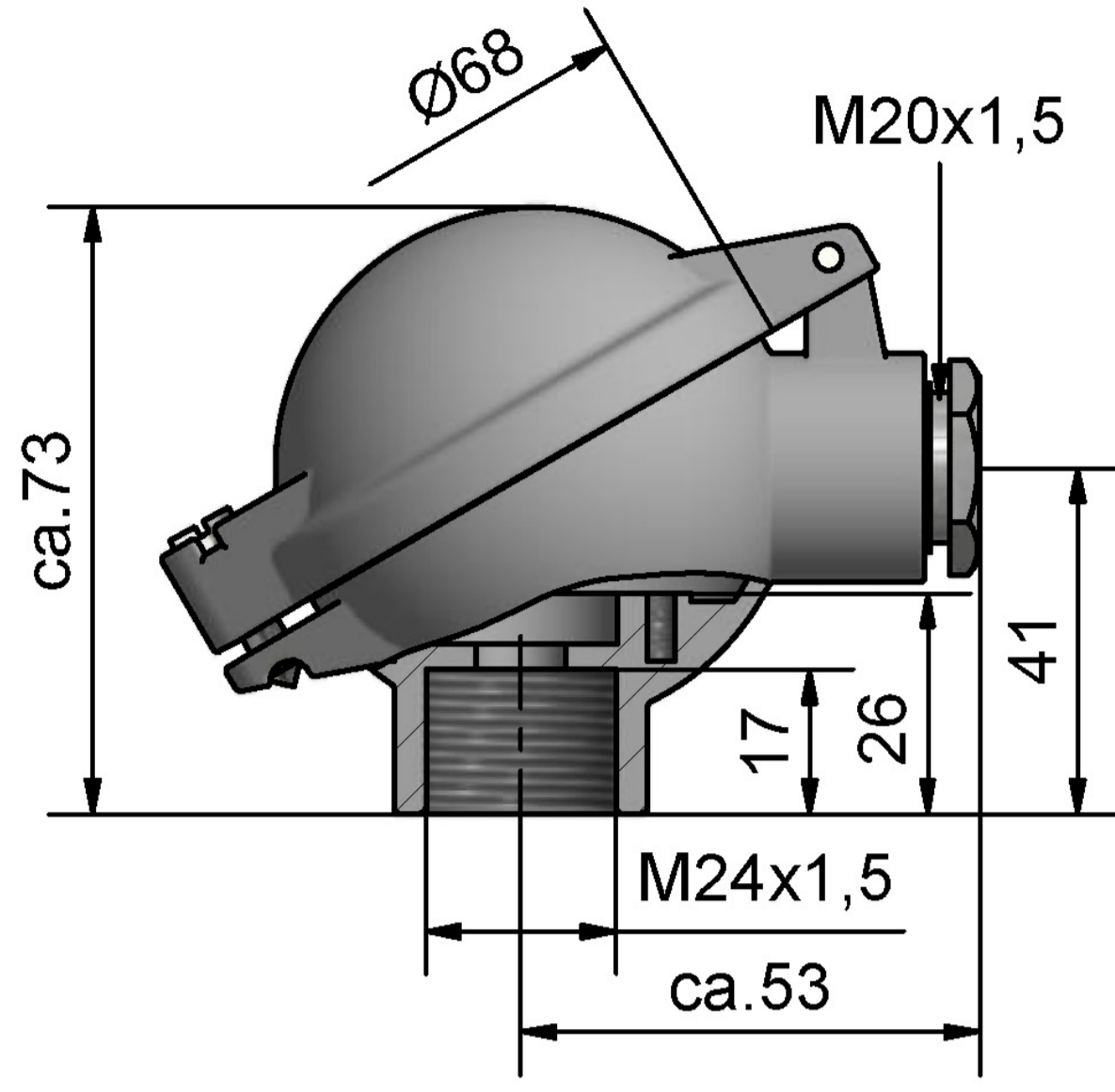
fig. 1

Optional connecting heads / circuit diagram

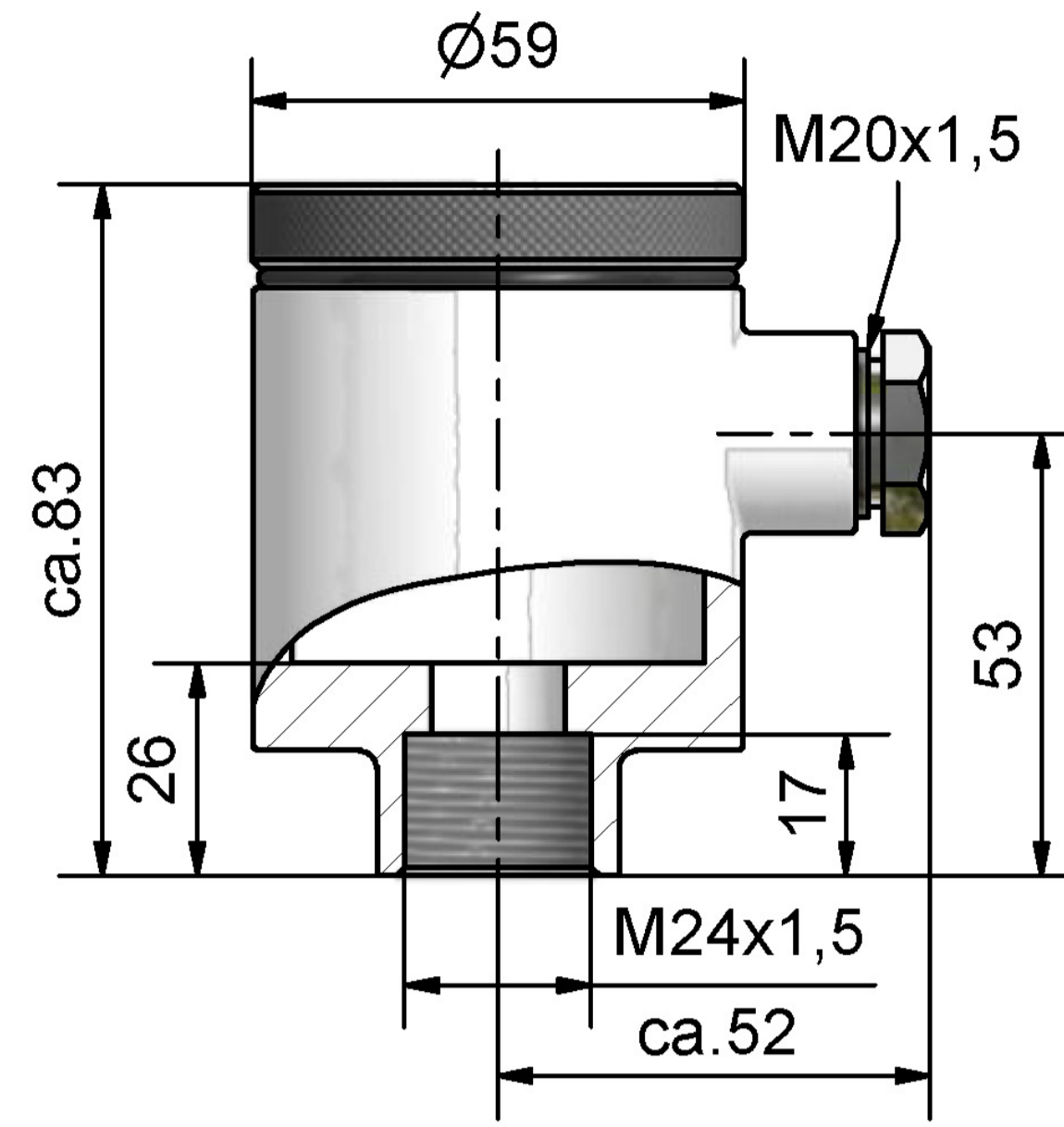
Alternative to the cable gland a M12 insert plug is possible



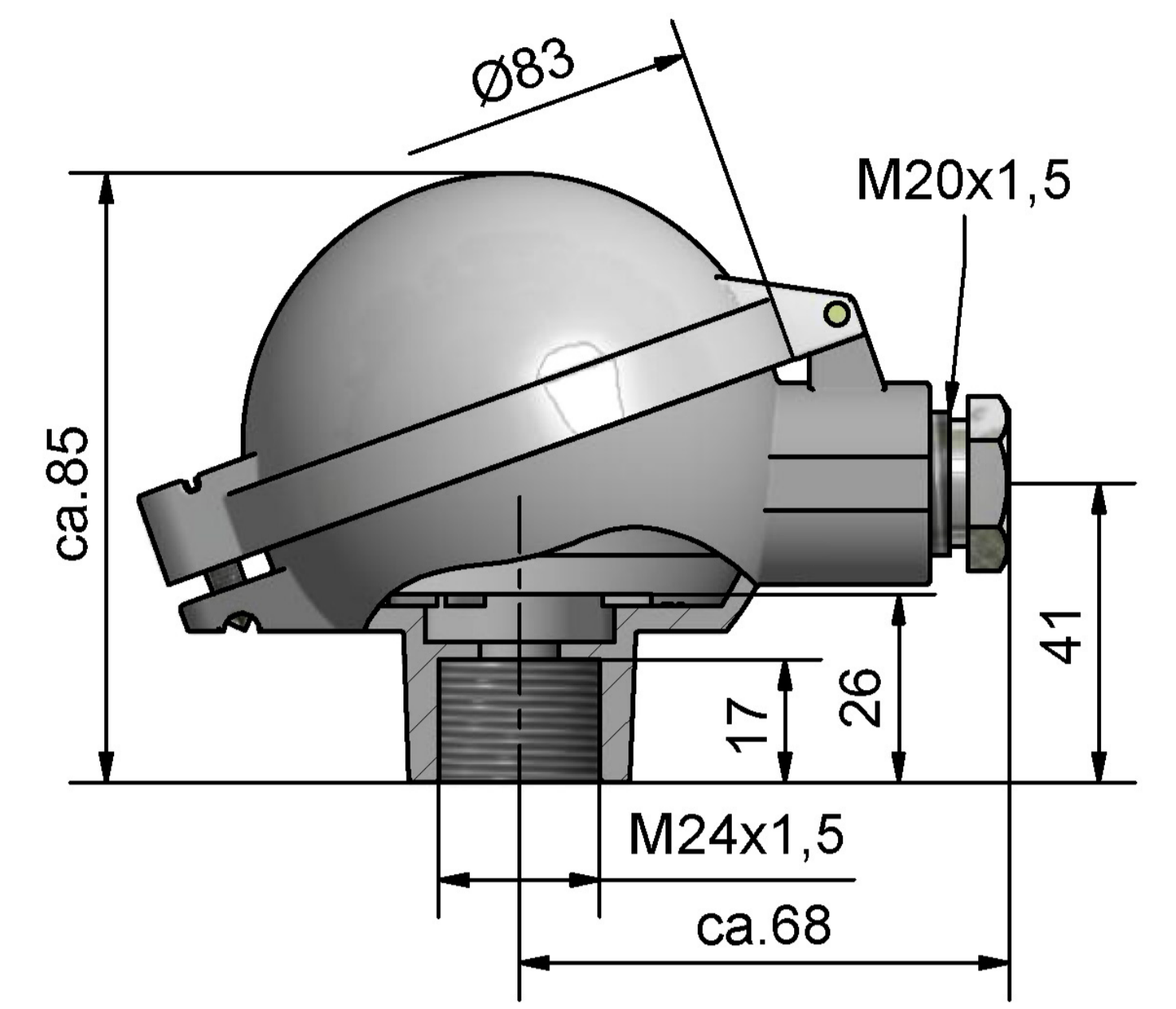
connection head model B-G12
M24 x 1,5



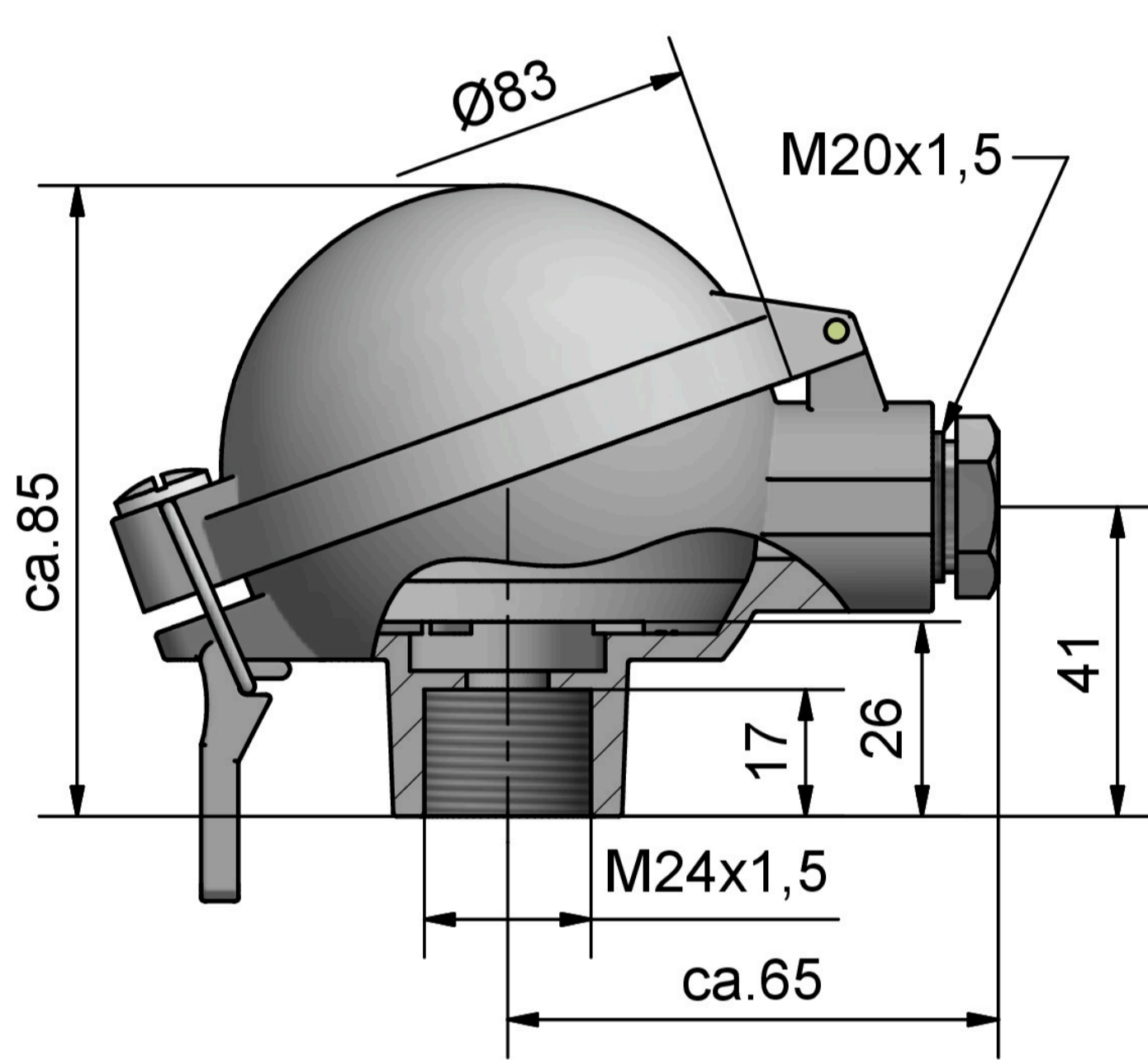
connection head model B-KL
M24 x 1,5



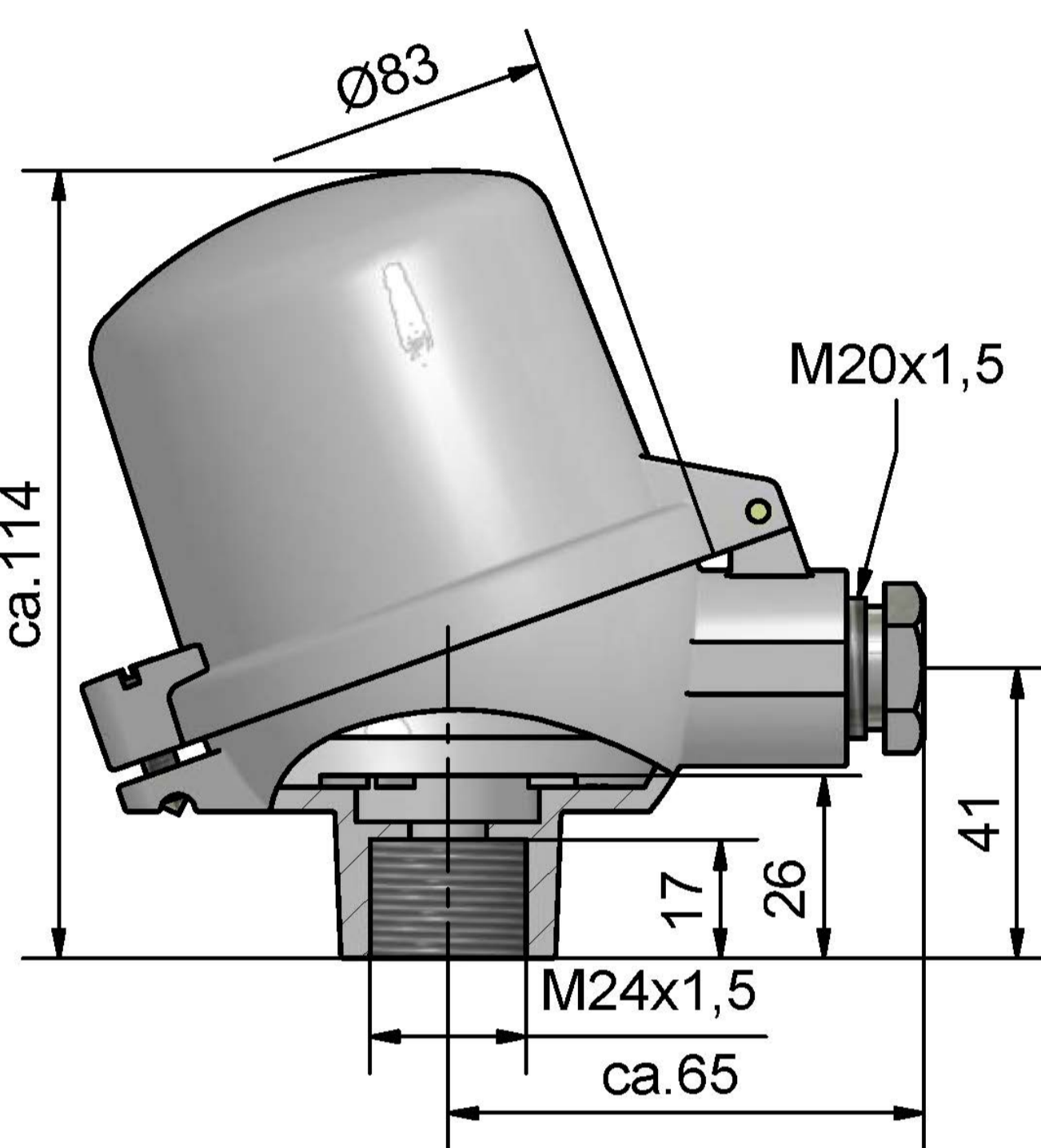
connection head model B-VA
M24 x 1,5



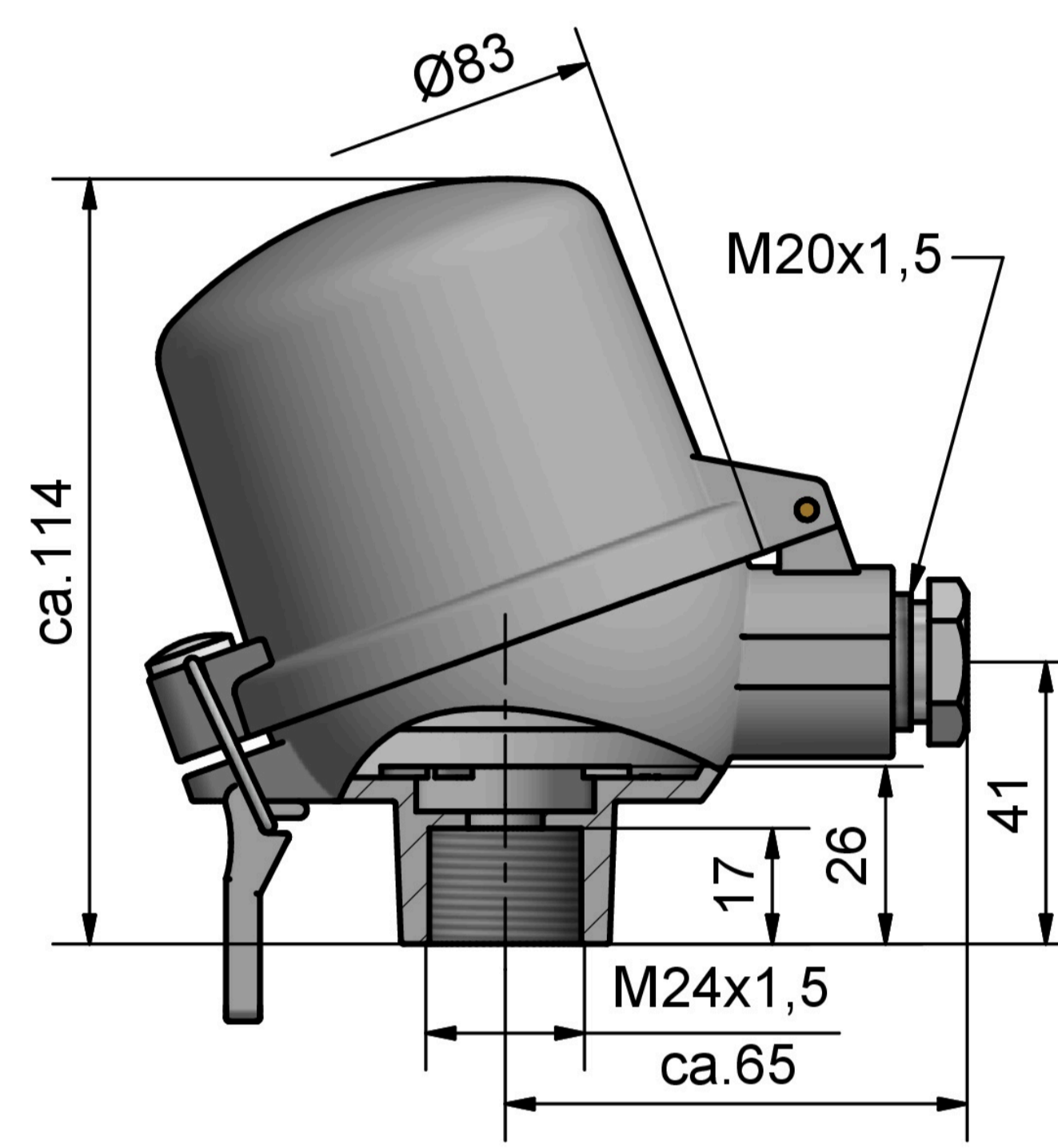
connection head model BA-KL
M24 x 1,5



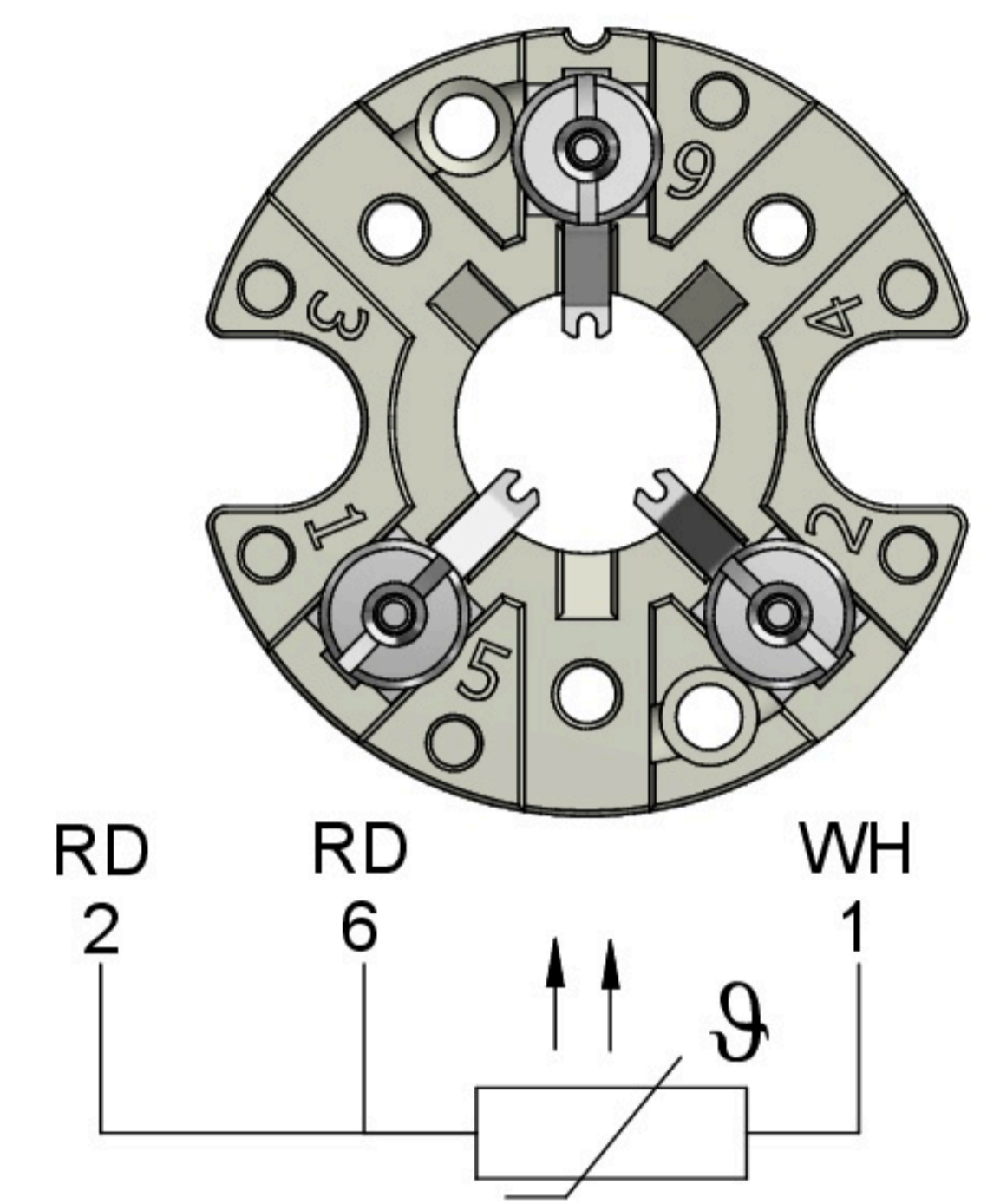
connection head model BA-KS2
M24 x 1,5



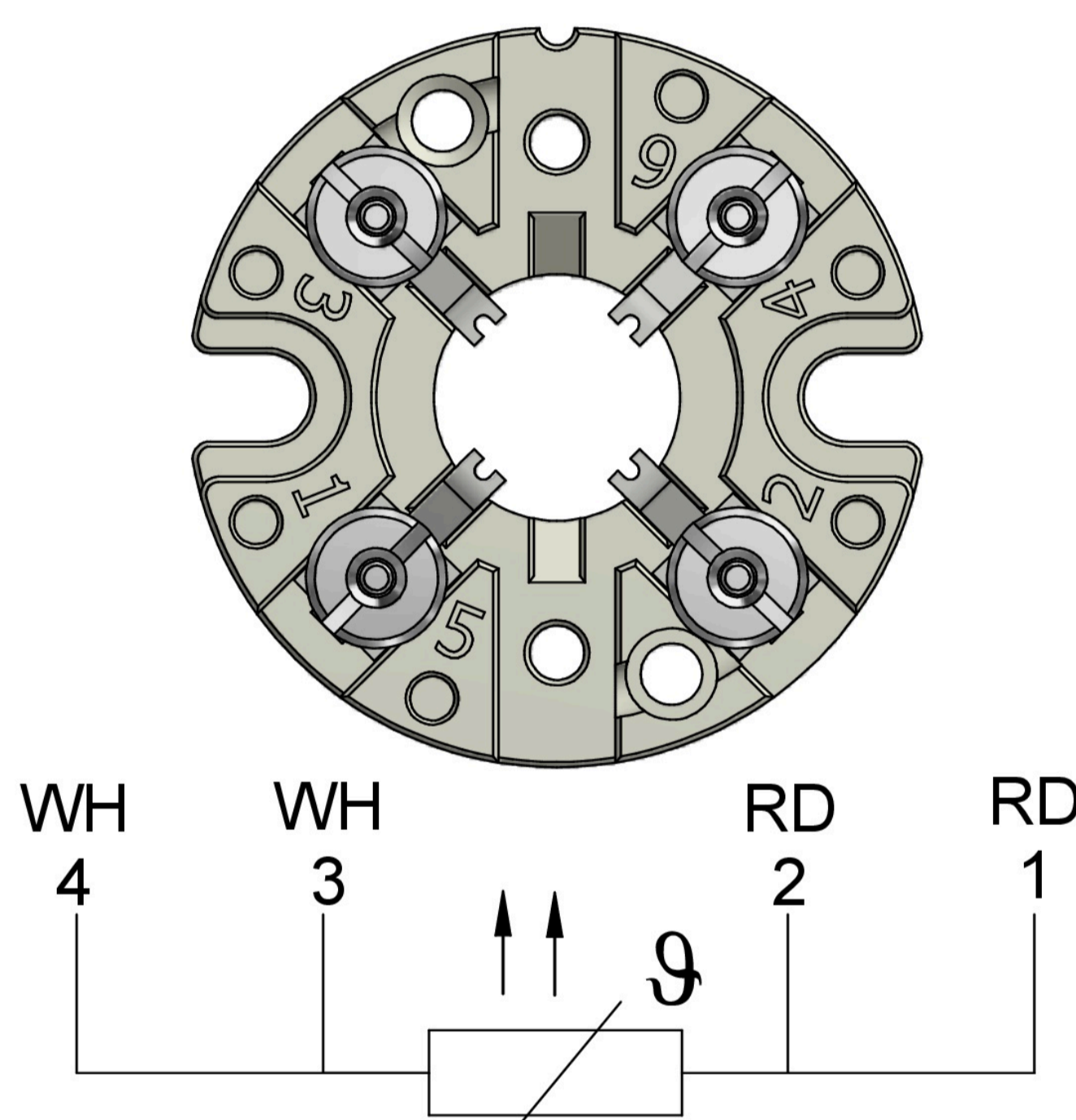
connection head model BA-KLH
M24 x 1,5



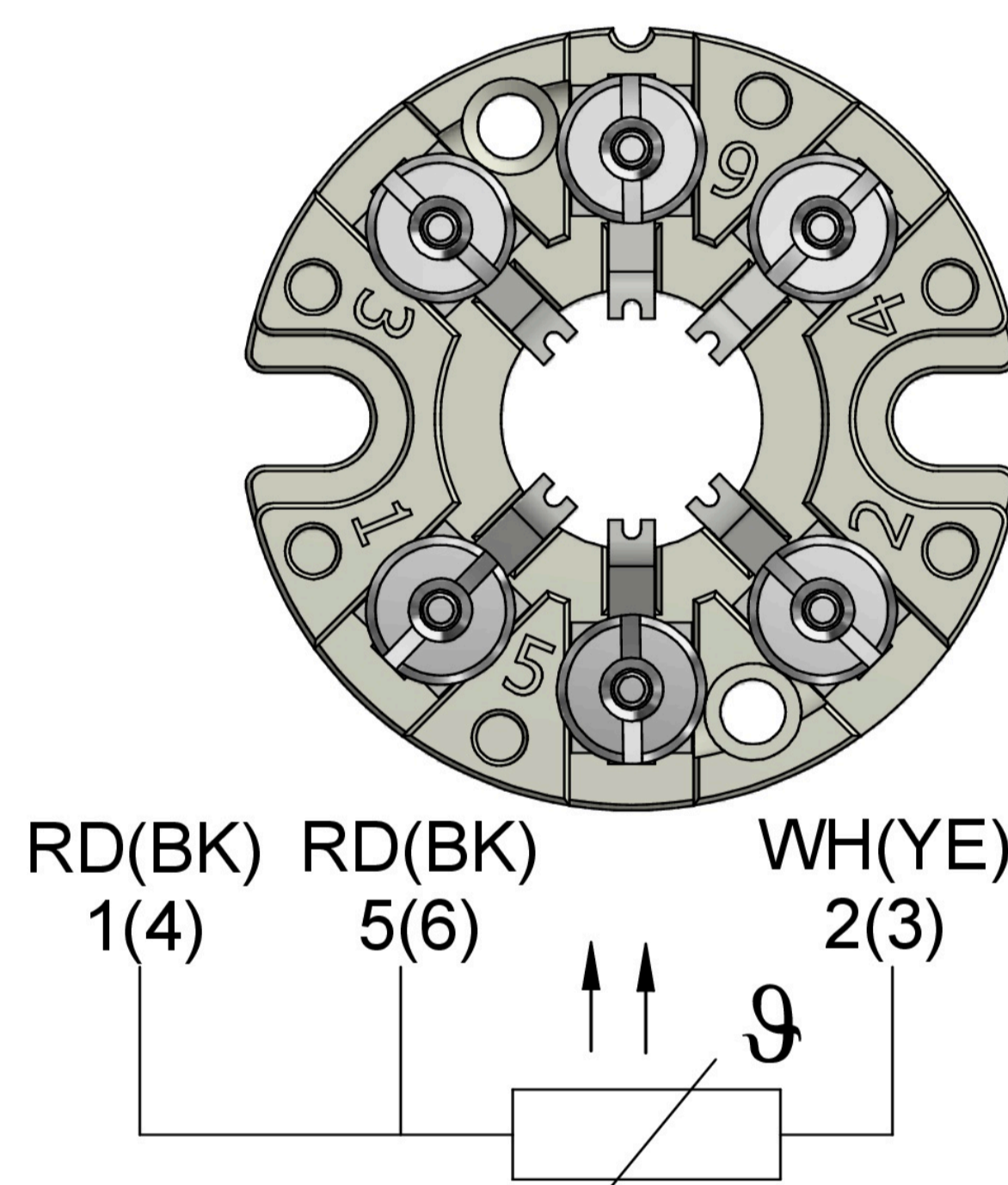
connection head model BA-KSH
M24 x 1,5



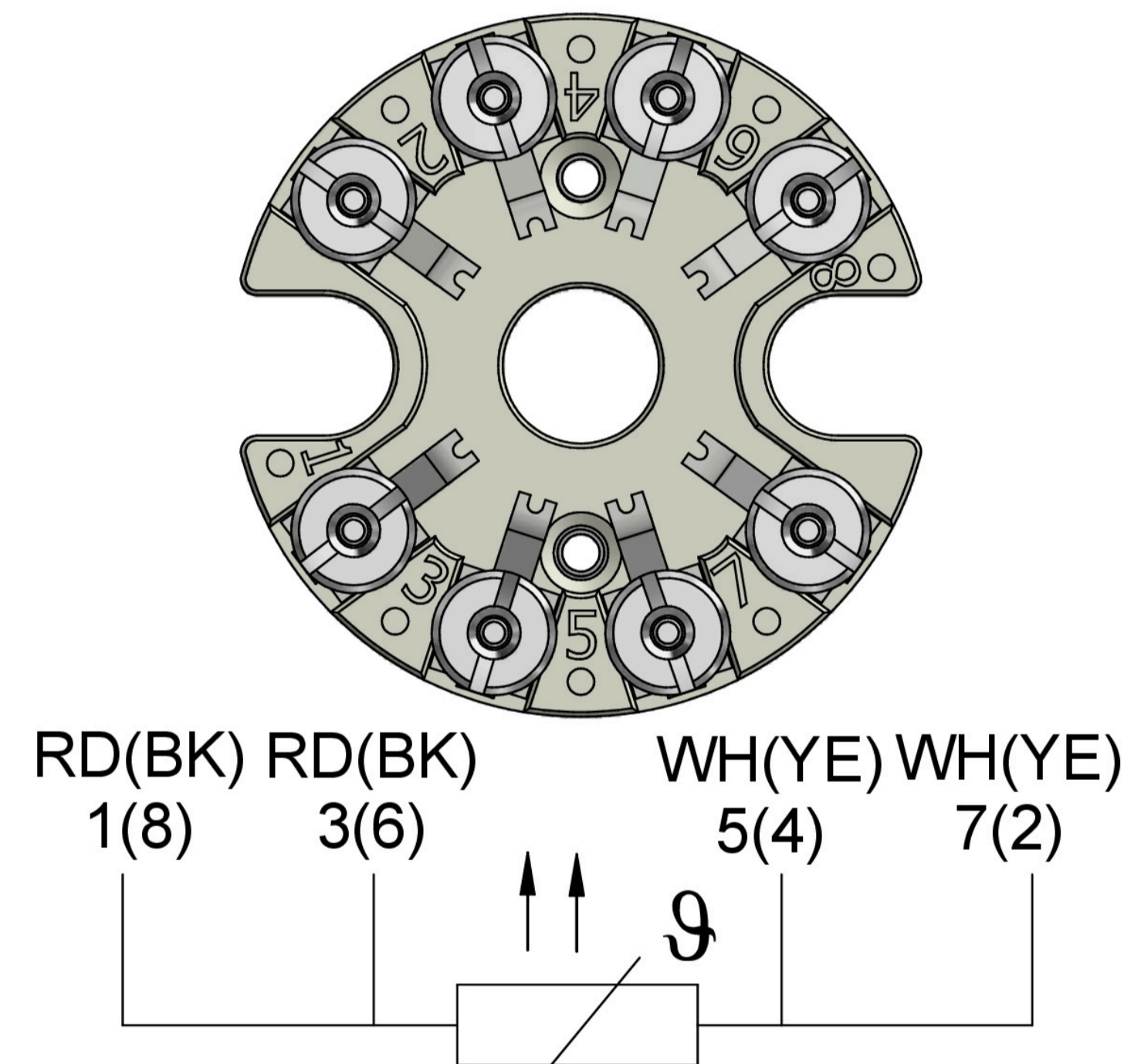
terminal base
1 x PT100 3 wire



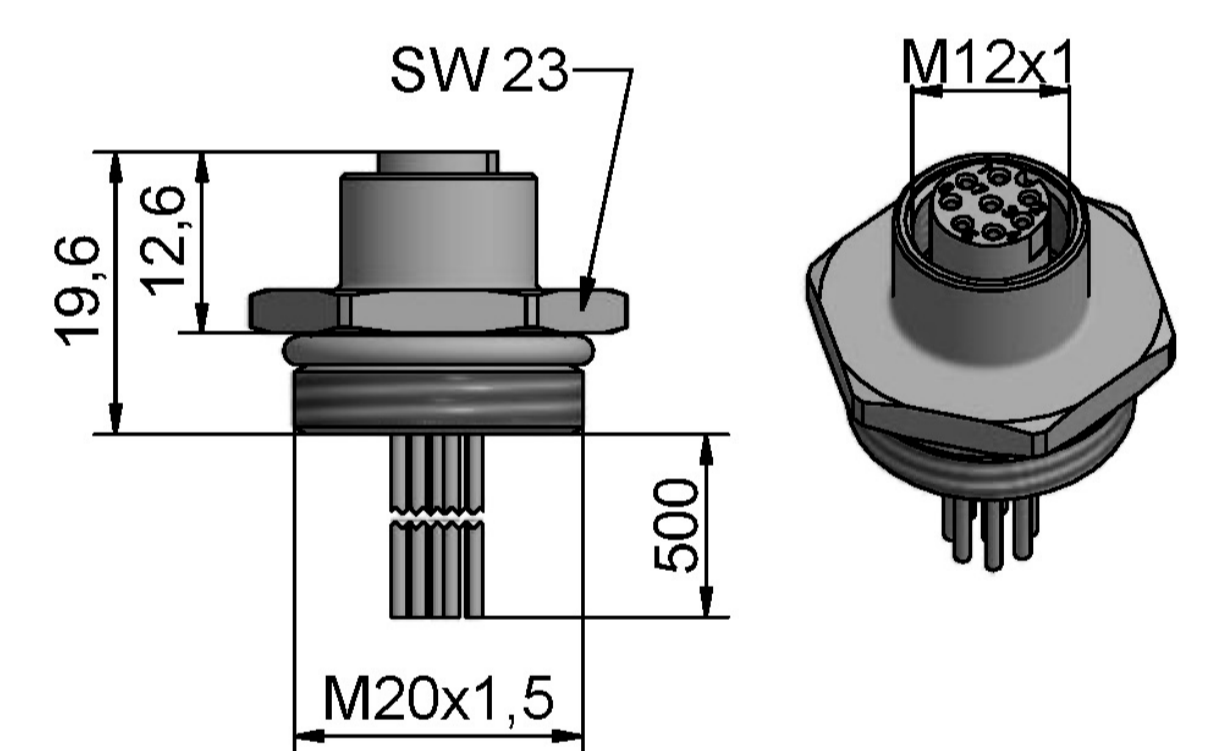
terminal base
1 x PT100 4 wire



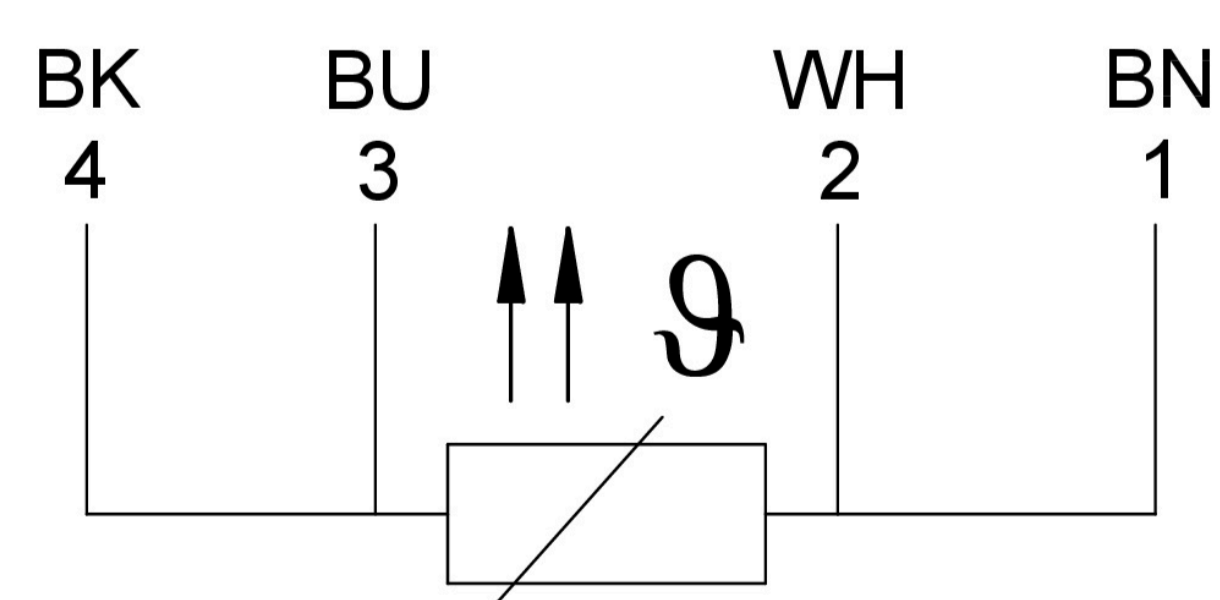
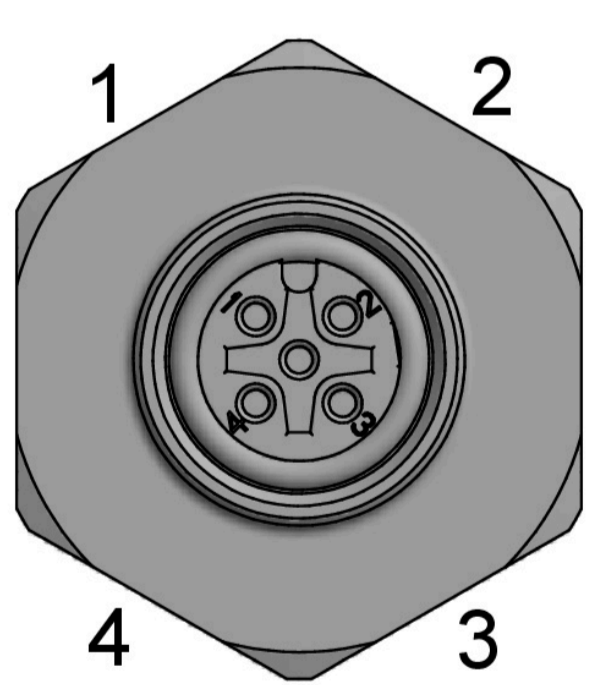
terminal base
2 x PT100 3 wire



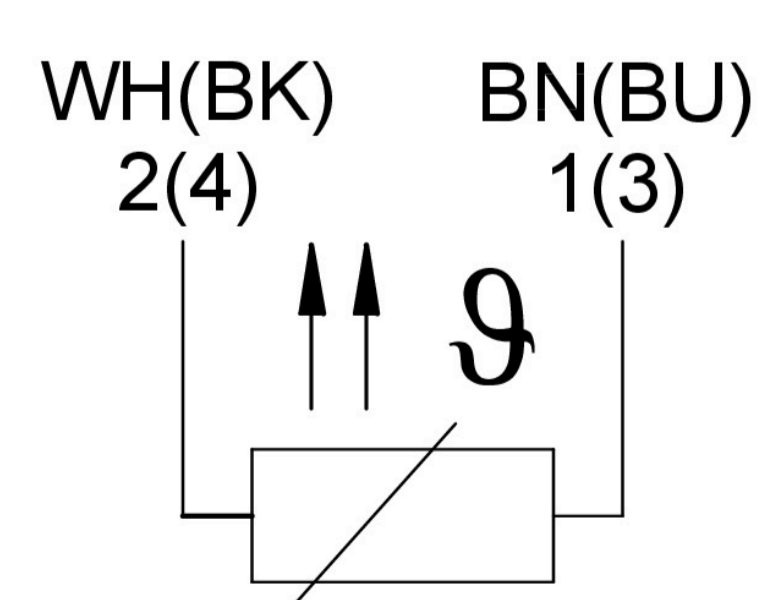
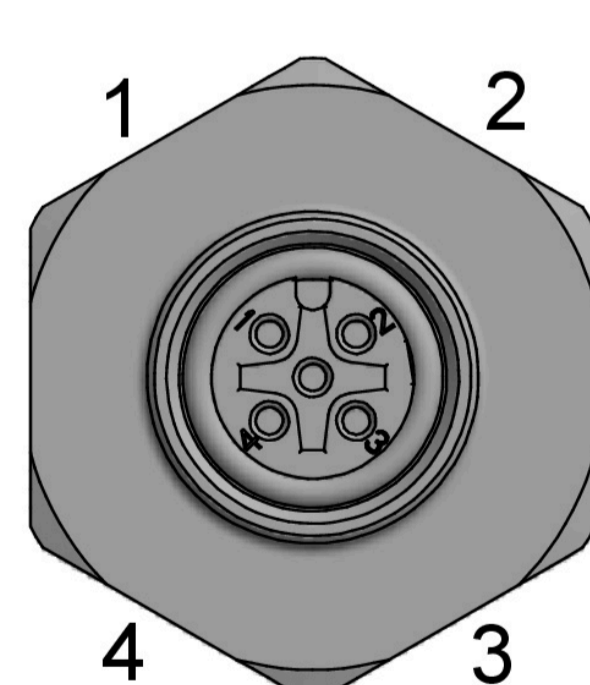
terminal base
2 x PT100 4 wire



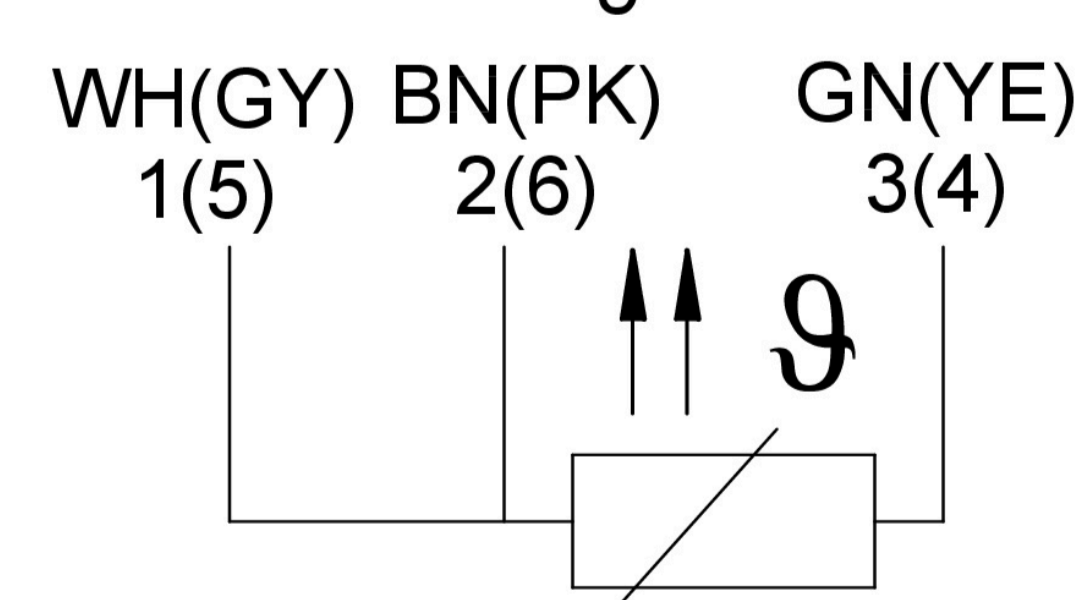
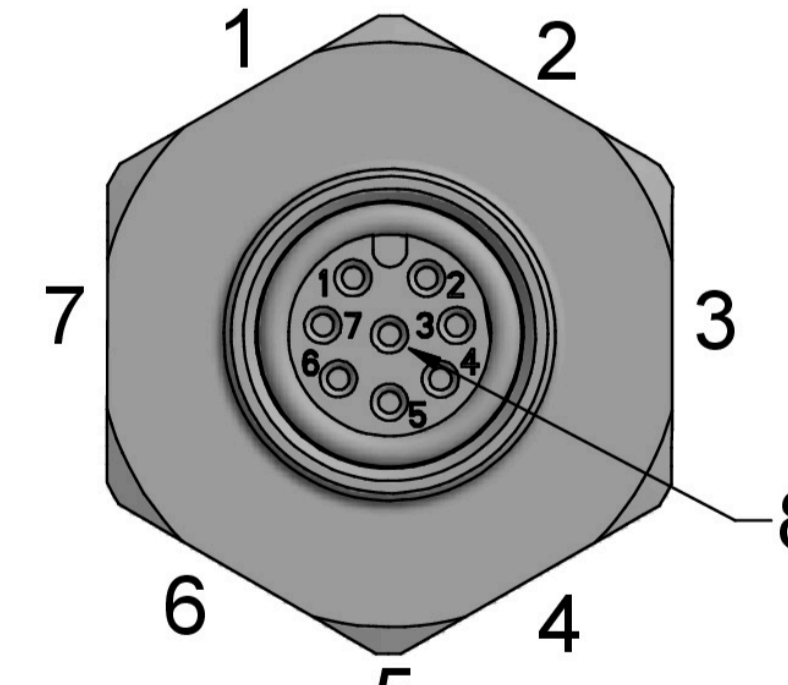
M12 insert socket
8-terminal



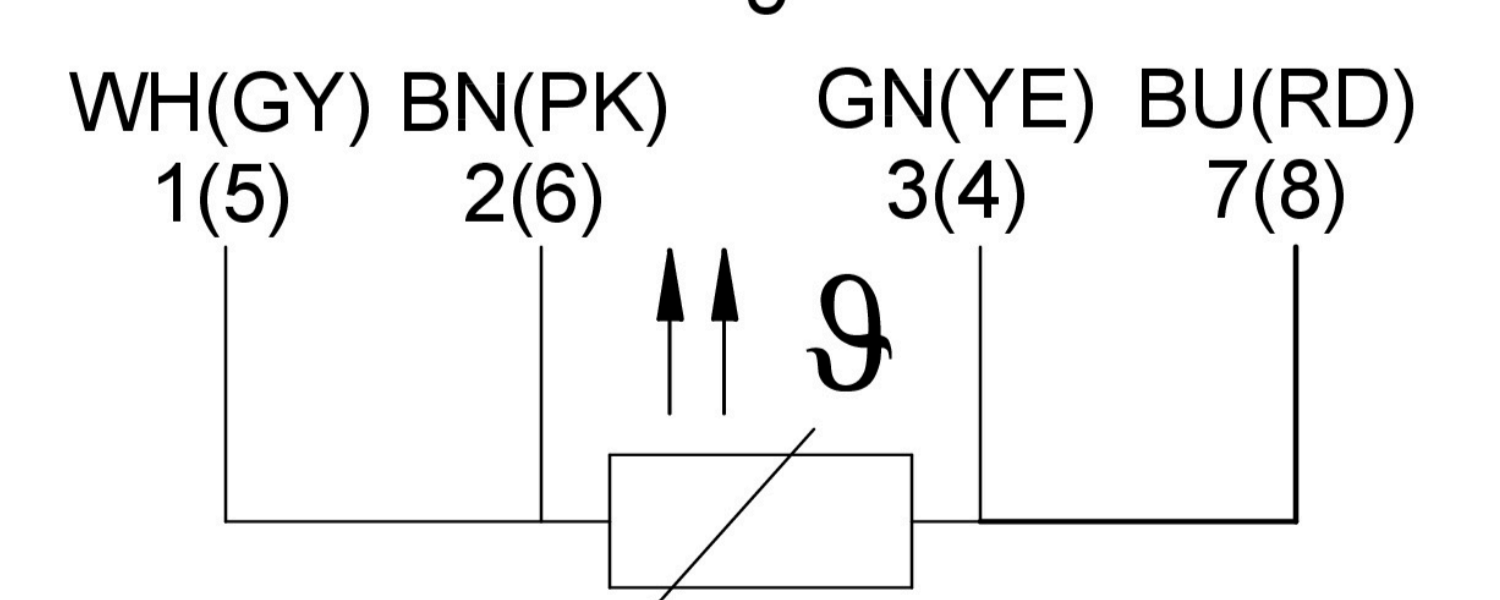
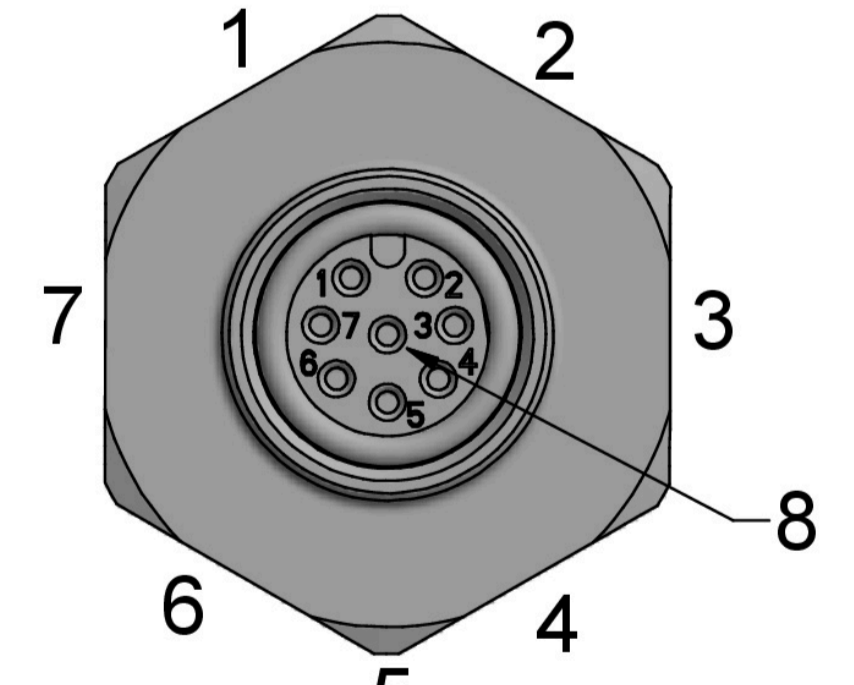
M12 insert socket
1 x PT100 4 wire



M12 insert socket
2xPT100 2 wire



M12 insert socket
2xPT100 3-wire



M12 insert socket
2xPT100 4-wire