

Resistance Temperature Detector R14 model B

RTD measuring insert with connection head model B

In general

Reckmann GmbH temperature sensors (R58®) are used exclusively for measuring process temperatures in solid, liquid or gaseous media. The flexible sheath material in combination with a sliding compression fitting allows variable installation.

Application area:

Uncritical process conditions at machine and plant engineering, Research / Development

For installation please see our operating instructions RTD
Stock-number-code: 1R14-J.

Technical datas

- **Connection head** (fig. 1/1) according to DIN EN 50446.
Standard connection heads: Form B-G12, B-KL, B-VA, BA-KL, BA-KLH, B-KUKL, B-KUHKL. Dimension see page 2.
on request: IP65 / IP 67 possible.
- **Measuring insert** (fig.1/2) replaceable according to DIN 43735 mounted in connection head (fig. 1/1) gemäß DIN EN 50446.
Standard connection heads: Form B-G12, B-KL, B-VA, BA-KLH, B-KUKL, B-KUHKL. Dimension see page 2.
- **Sensor** depending on use:
thin film or ceramic according to IEC / EN 60751,
in 1 x 3-, 1 x 4-, 2 x 3-, or 2 x 4 wire circuit,
Recommended operating temperature on the measuring tip depended on accuracy class according to IEC / EN 60751
Operating temperature PT100
- 50 °C up to + 500 °C for thin film sensors,
- 200 °C up to + 600 °C for ceramic sensors,
- 200 °C up to + 450 °C for glass sensors.
- **Sheath material** according to IEC / EN 61515.
Standard material 1.4404,
Standard diameter 3 or 6 mm.
- **Process connection** via sliding compression fitting, union nut or welded-on clamping fitting DIN 32676.

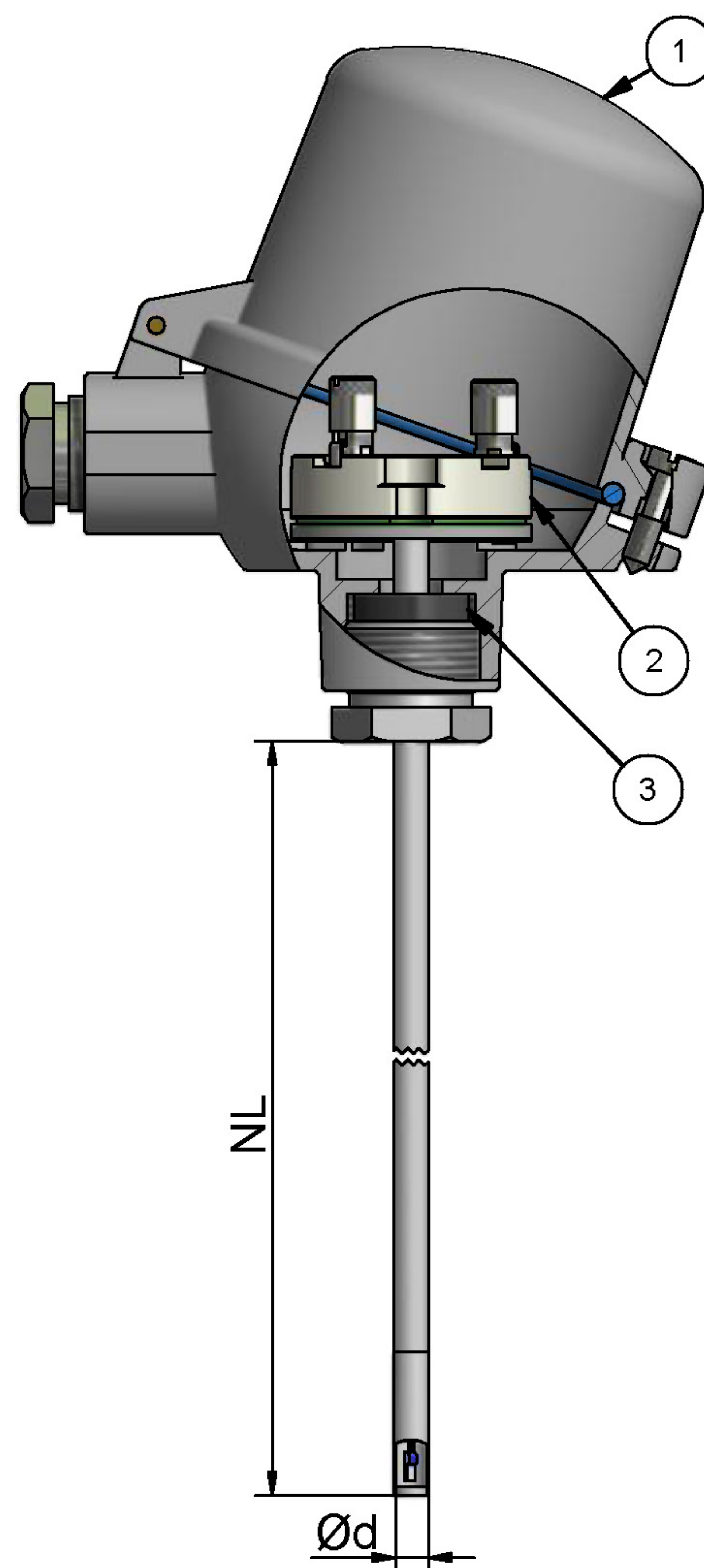
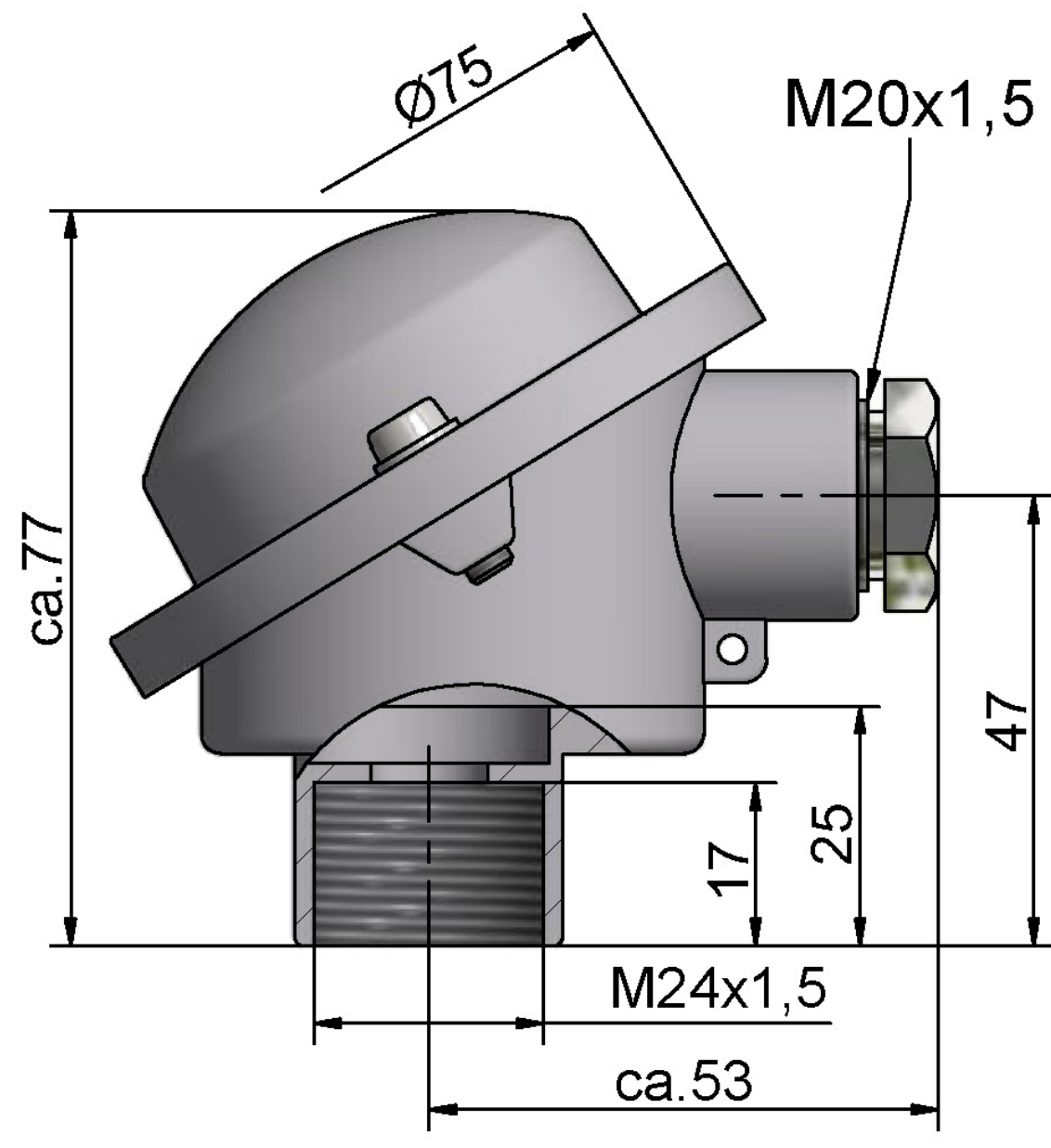


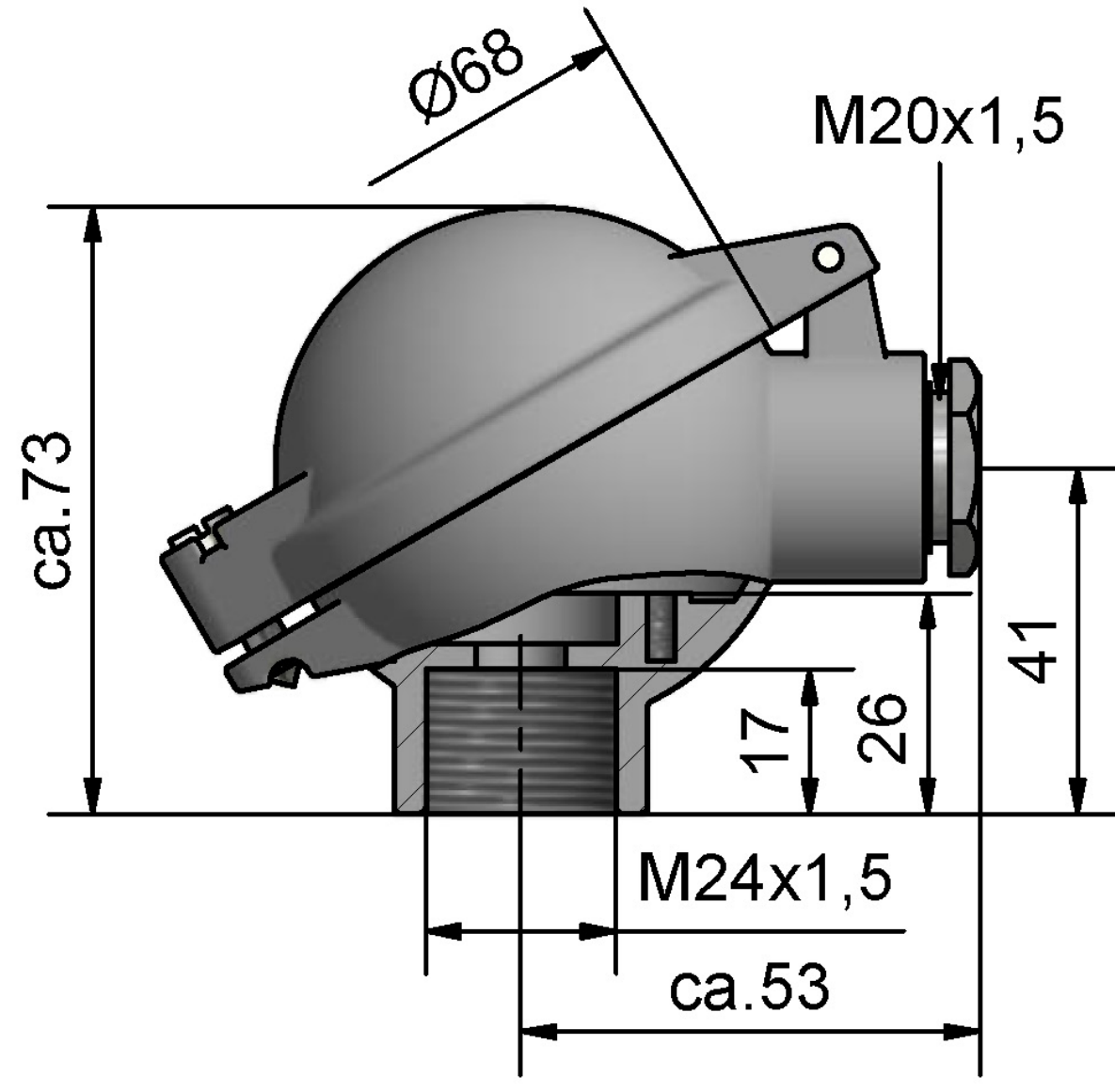
fig. 1

Optional connecting heads / circuit diagram

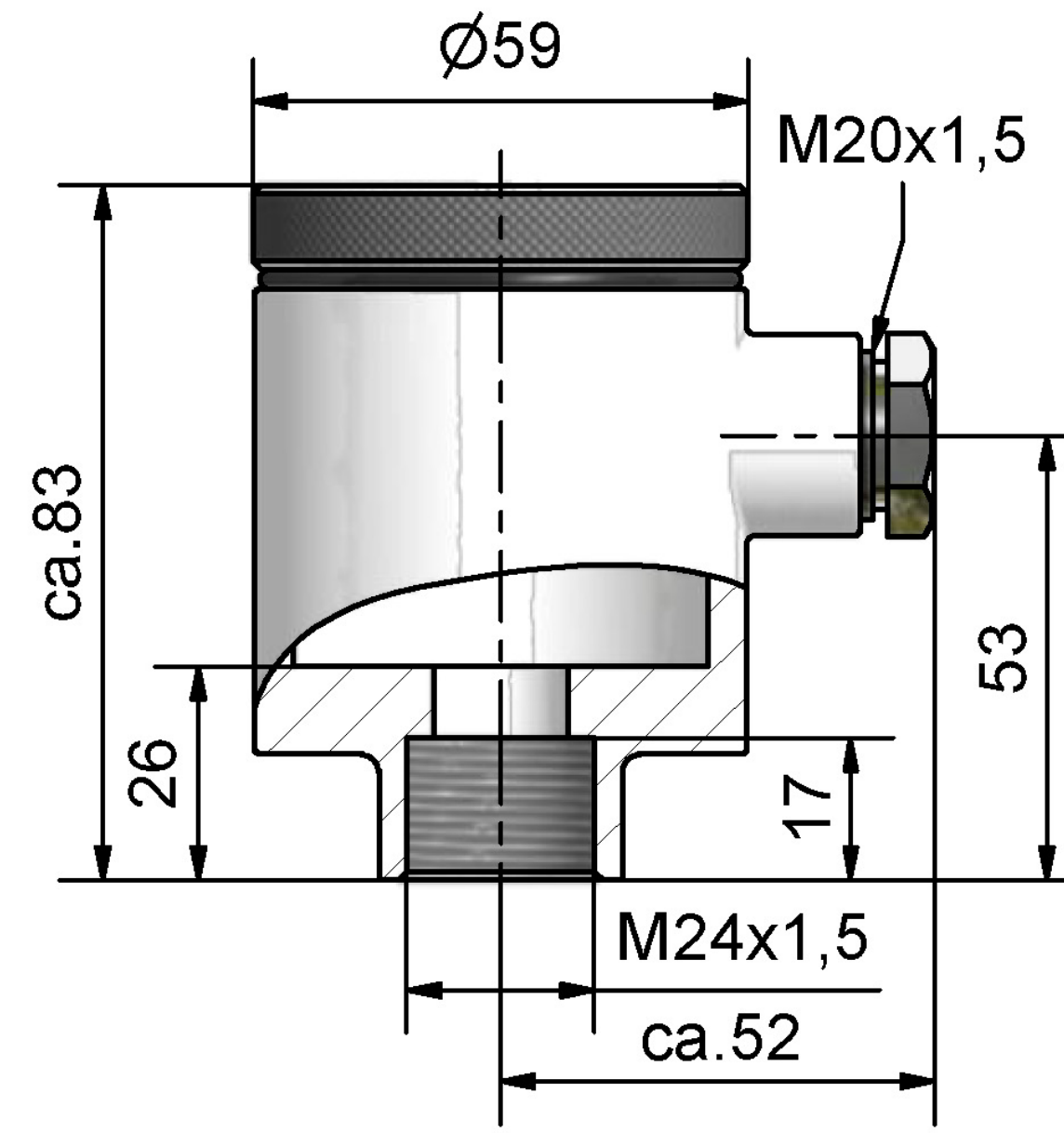
Alternatively to the cable gland an M12 plug-connector is possible.



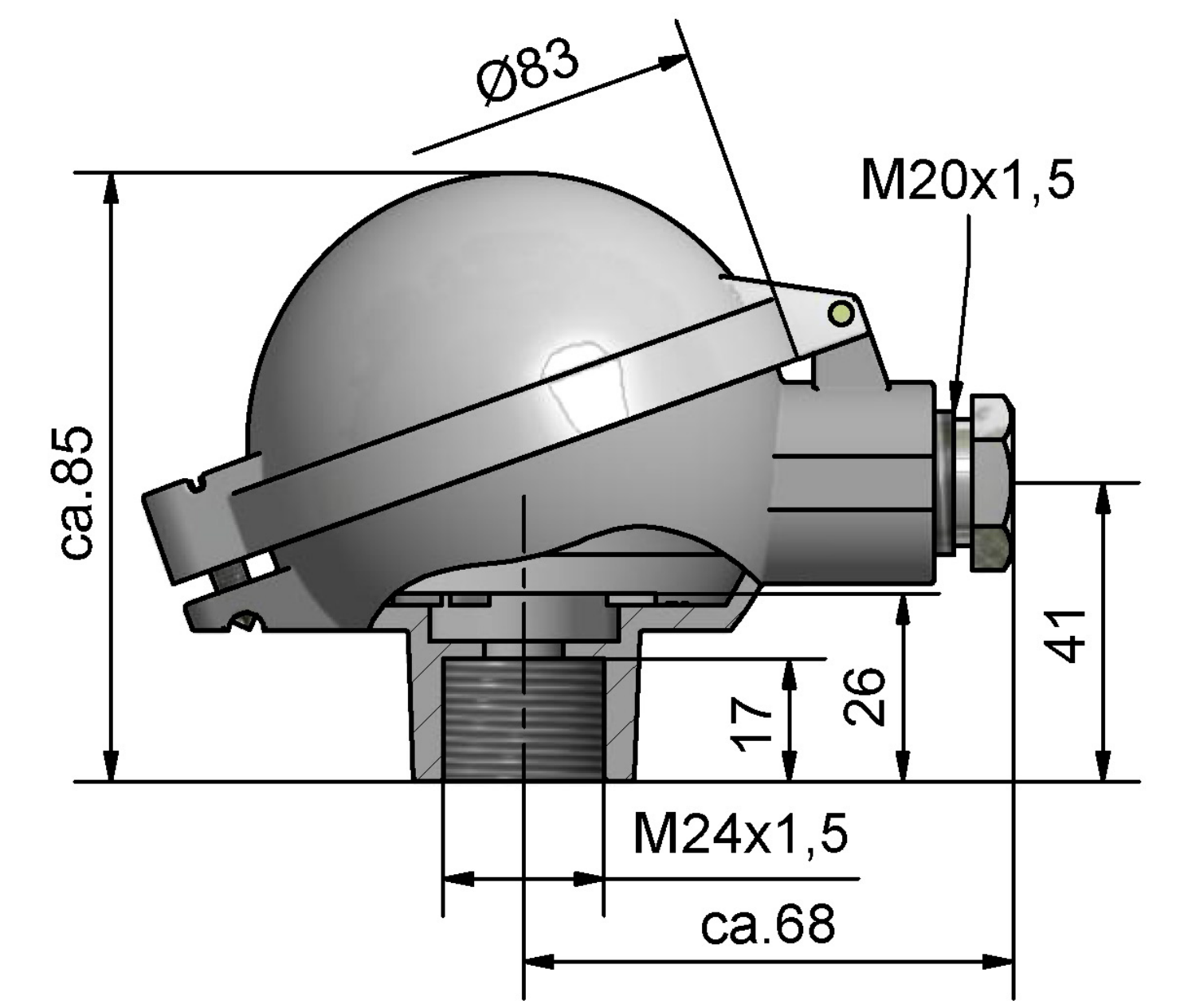
connection head model B-G12
M24 x 1,5



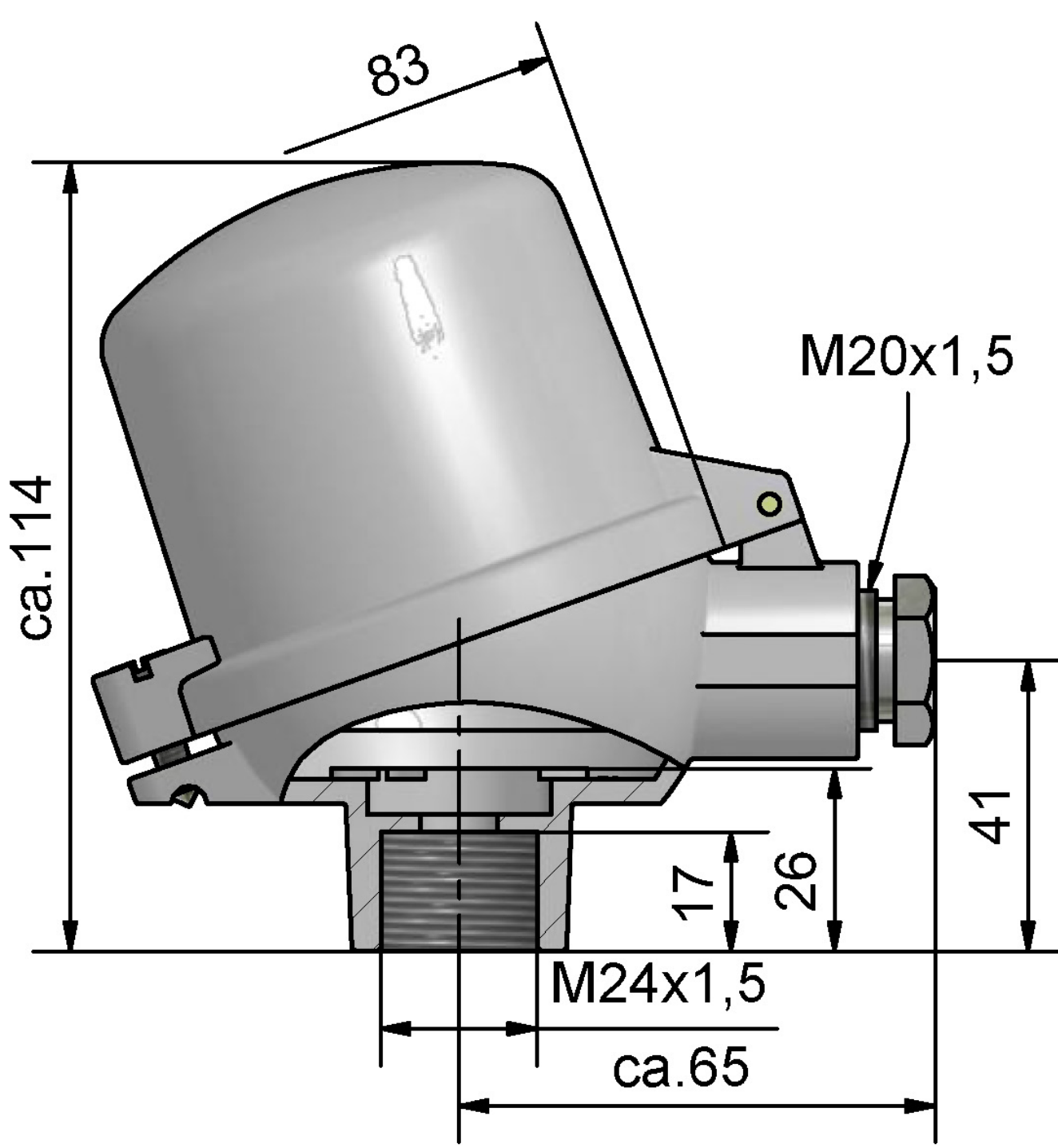
connection head model B-KL
M24 x 1,5



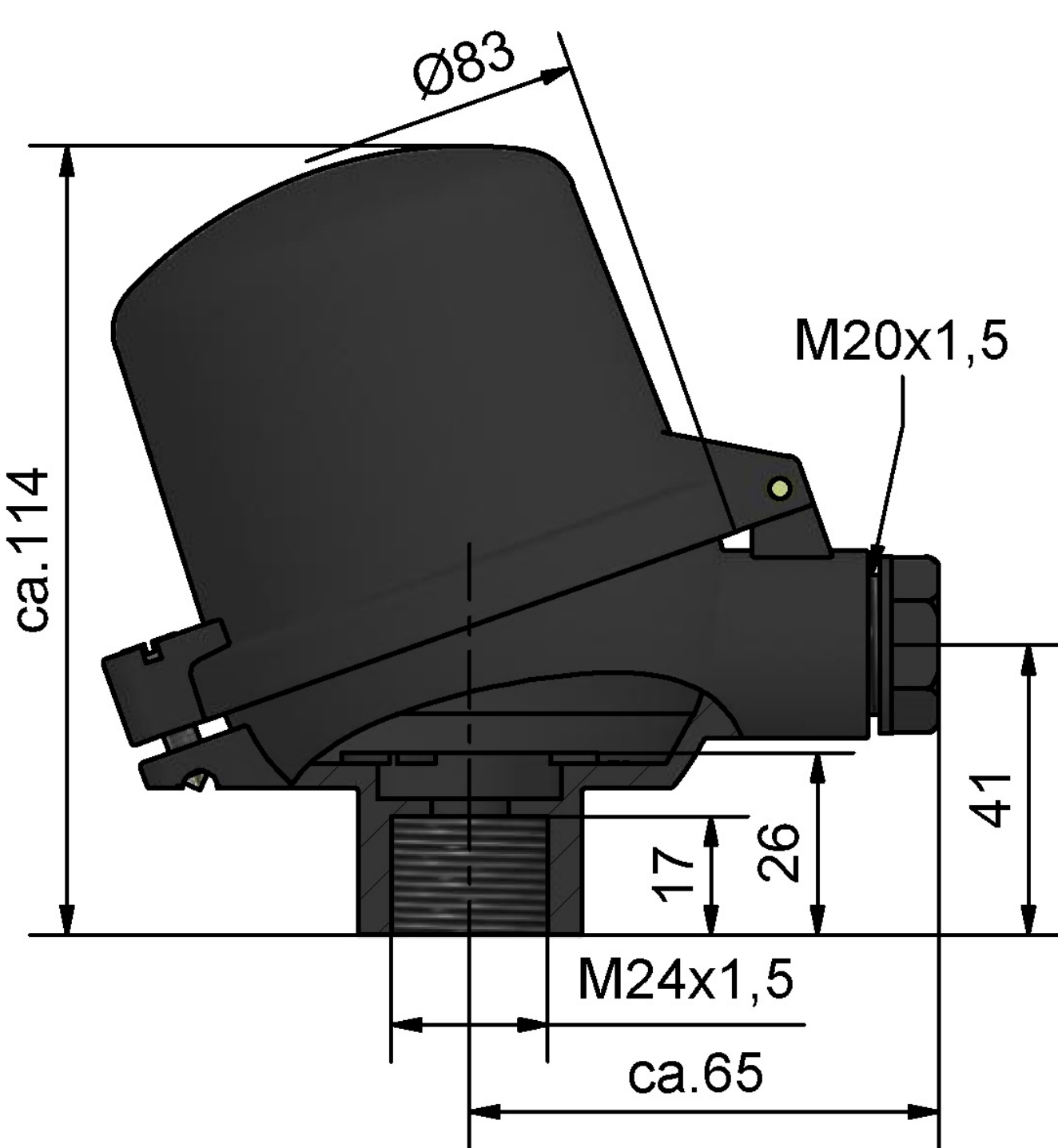
connection head model B-VA
M24 x 1,5



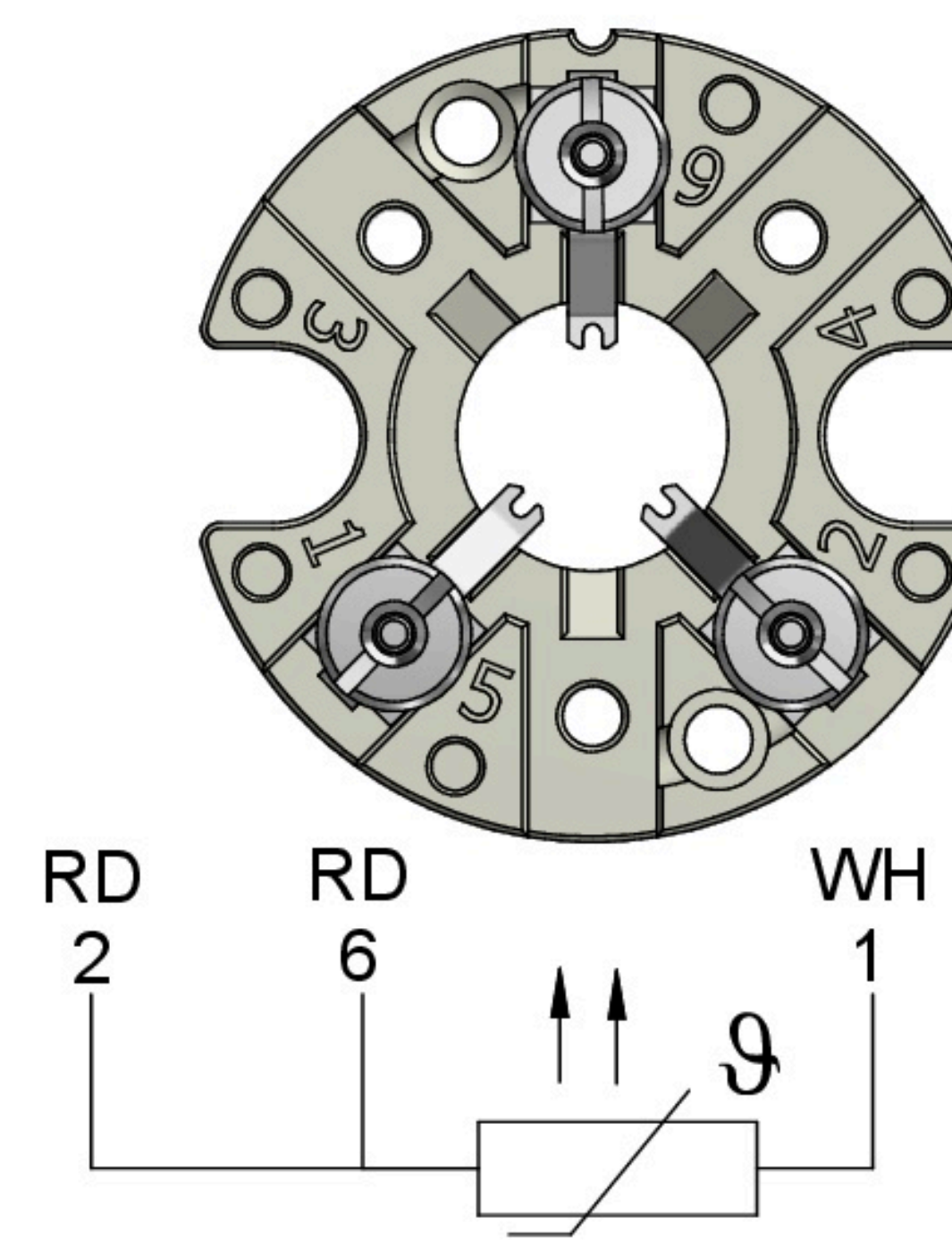
connection head model BA-KL
M24 x 1,5



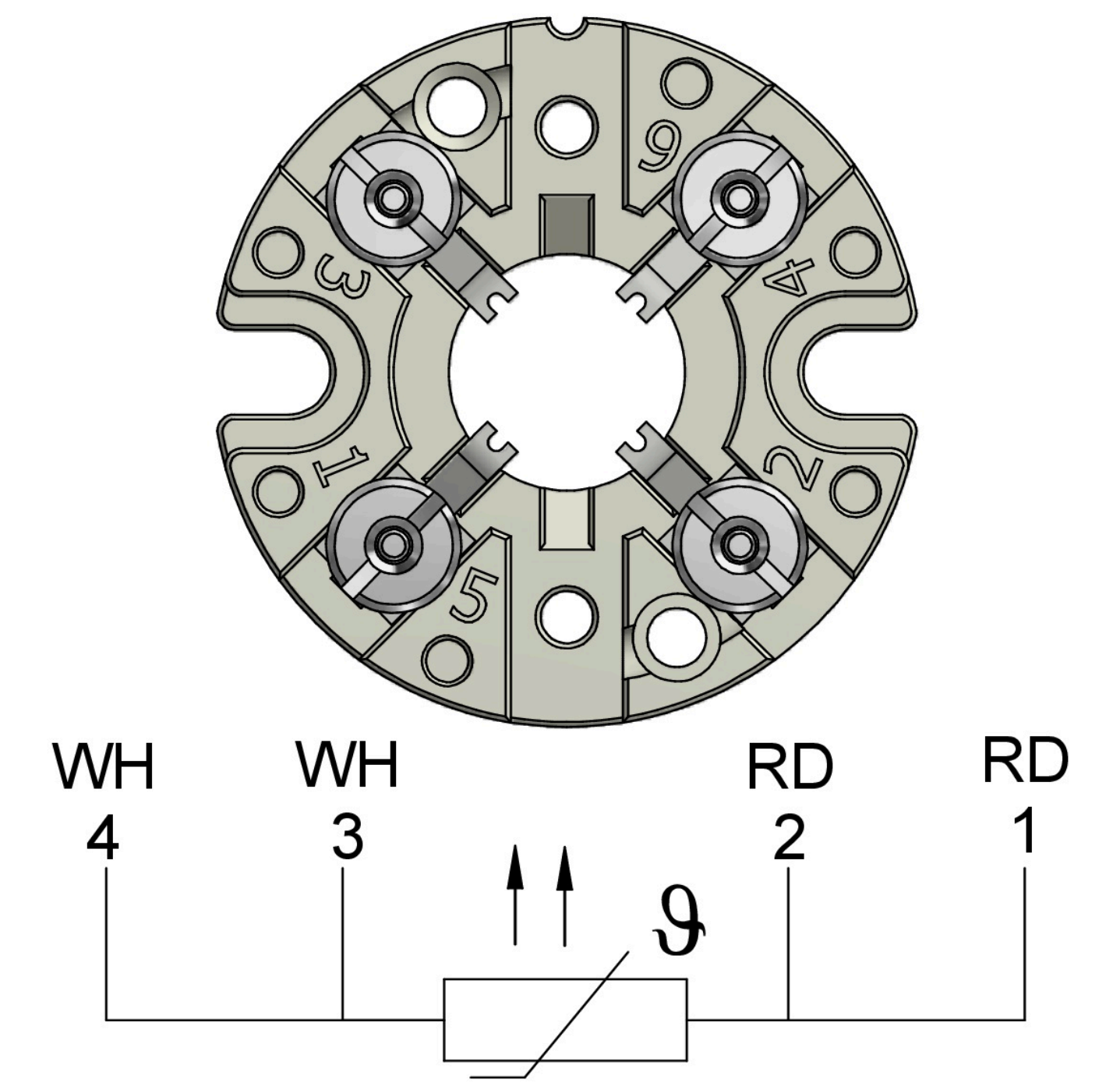
connection head model BA-KLH
M24 x 1,5



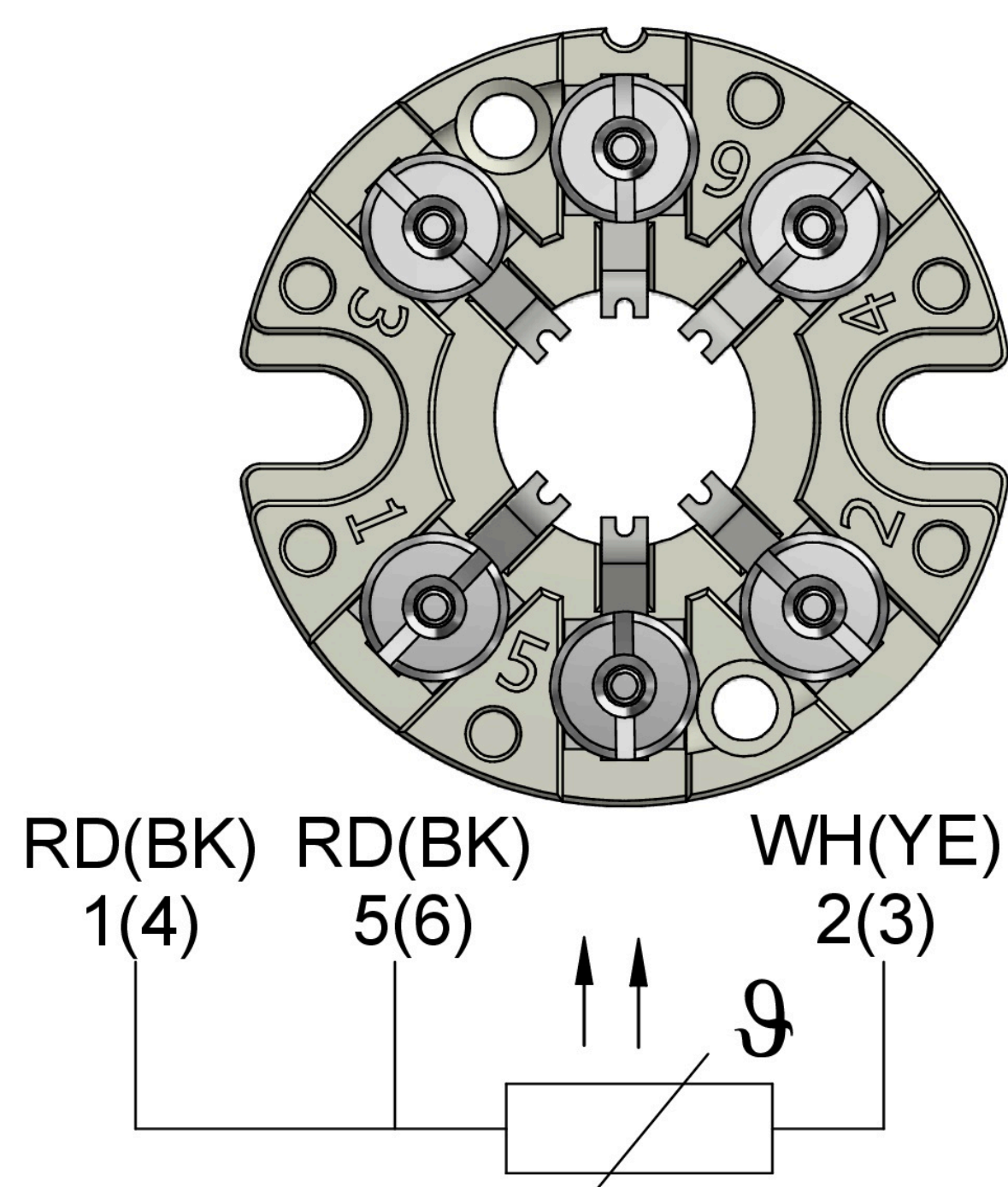
connection head model B-KUHKL
M24 x 1,5



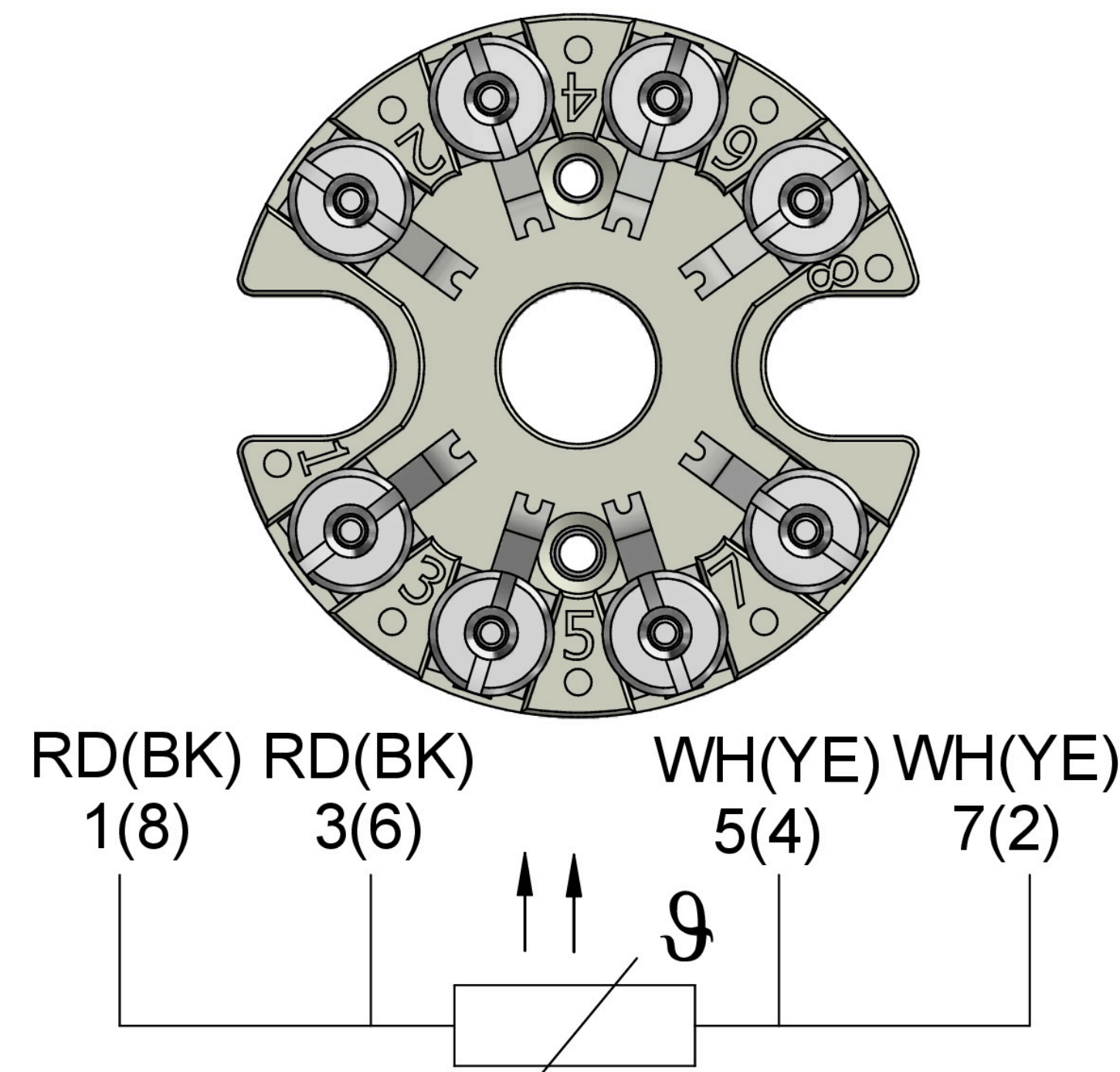
terminal base
1 x PT100 3 wire



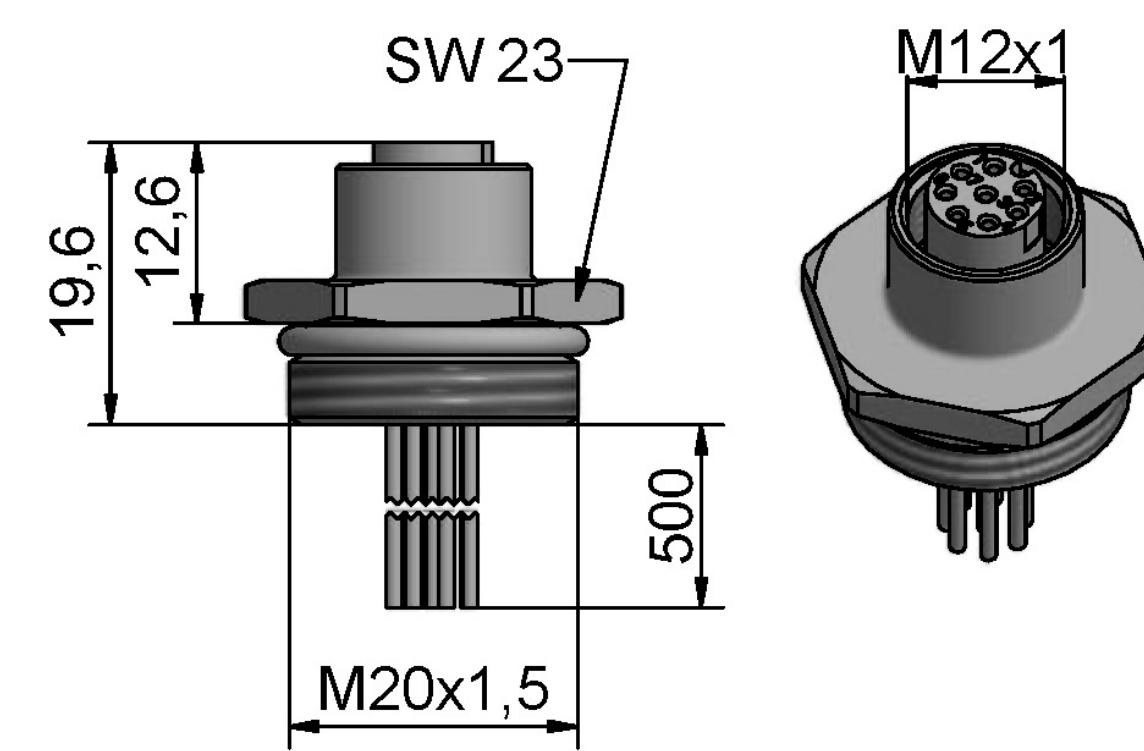
terminal base
1 x PT100 4 wire



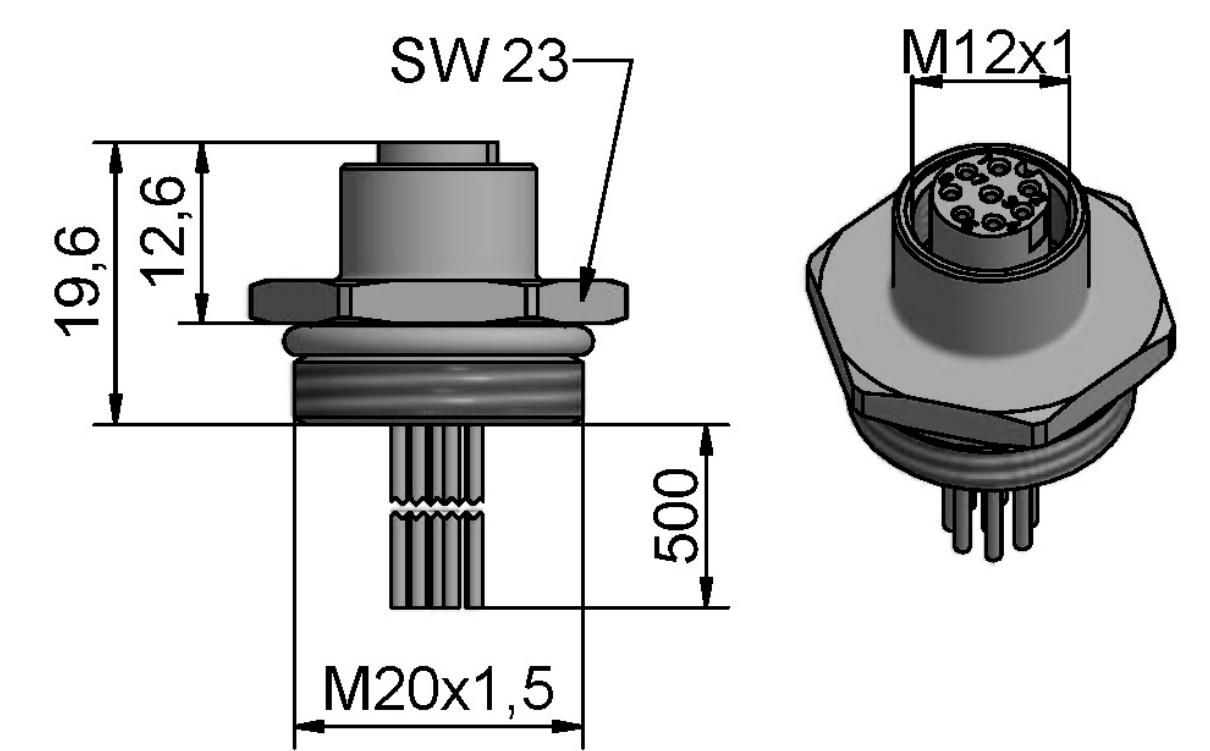
terminal base
2 x PT100 3 wire



terminal base
2 x PT100 4 wire



M12 insert socket
4-terminals



M12 insert socket
1xPT100 4 wire

M12 insert socket
2xPT100 2 wire

M12 insert socket
2xPT100 3-wire

M12 insert socket
2xPT100 4-wire

